

100-41204 28 Volts 525 Amps

PRODUCT SPECIFICATIONS

Part number	100-412041
System Voltage	24V
Rated Output	525A
Output @ 2000 rpm	335A
Ground	Negative
Mounting	Cradle
Rotation	Bidirectional
Temperature limits:	
Low	-40°C / -40°F
High	93°C / 200°F (with air precleaner)
High	110°C / 230°F (with fresh air intake hose)
Speed limits:	
7000 RPM	continuous
8000 RPM	intermittent
Coating	Corrosion-Resistant E-Coated
Weight	94 Lbs / 42.5 Kg.
Regulator	Internal
Excitation	IGN-Excite

Indicator Light	Yes
Remote Sense	Yes
Soft Start Delay (SSD)	Yes
Load Response Control (LRC)	Yes
Field Short Circuit Protection	Yes
Load Dump Protection	Yes
Overvoltage Shut-Down (OSD)	Yes

ACCESSORIES:

Air Precleaner	# 4800-2101
Oil Line Cap Kit (oil cooled to air cooled conversion)	# 4900-5000

RECOMMENDED FOR:

- Transit Bus
- Mining
- Marine
- Motor Coach
- Industrial

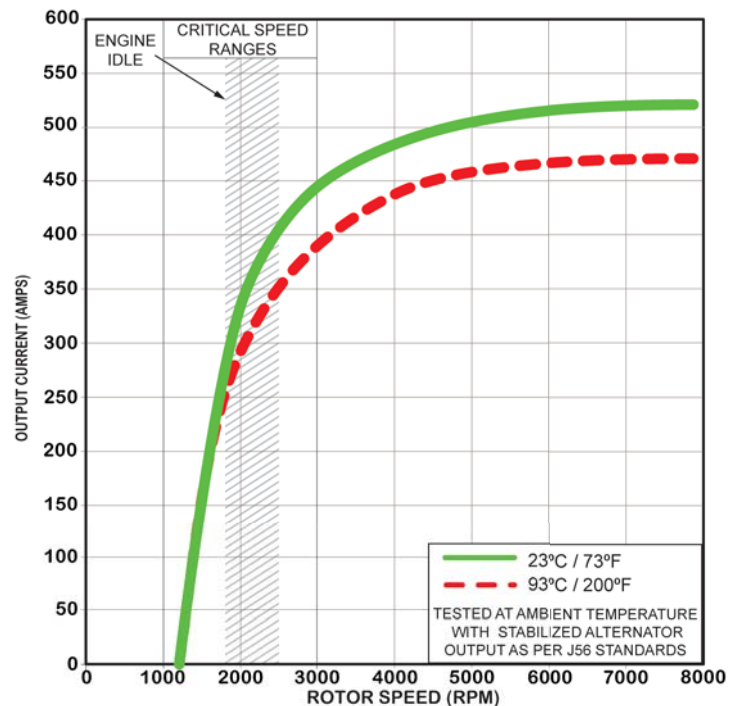


With 8S Pulley & Air Precleaner (as supplied)

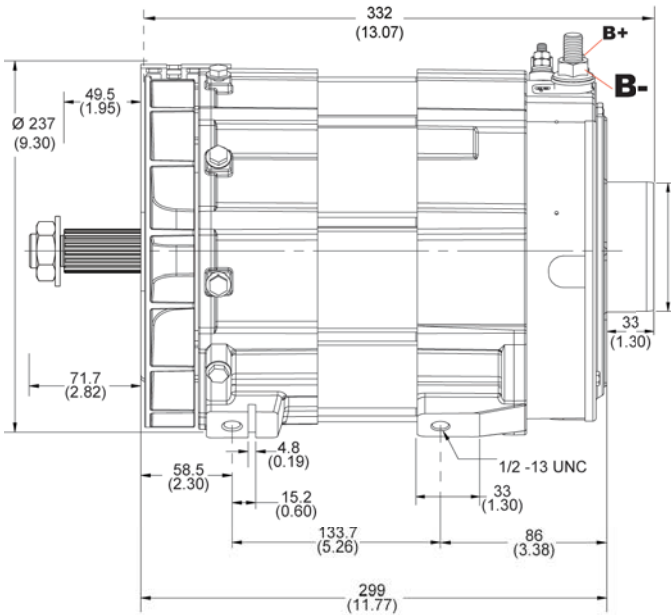
NOTE:

This DelStar 100-41204 alternator, meets the marine requirements for Ignition Protection on gas or diesel engines of ISO 8846, USCG, stated in Title 33 CFR 183.410, SAE J1171 and International CE Standards.

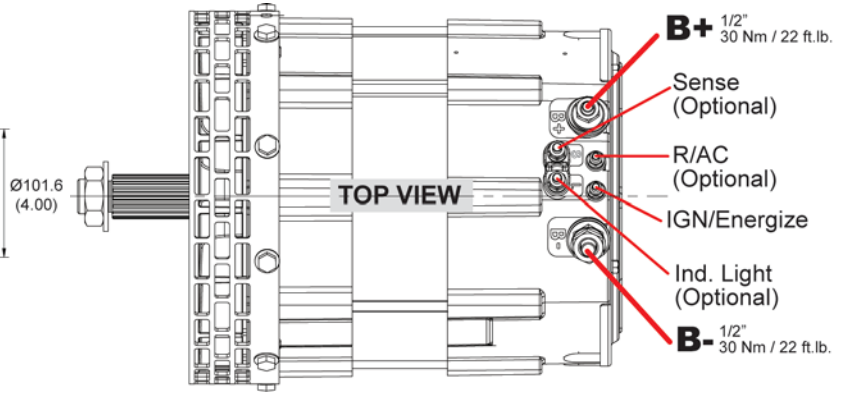
PERFORMANCE CURVES



OUTLINE



CONNECTIONS

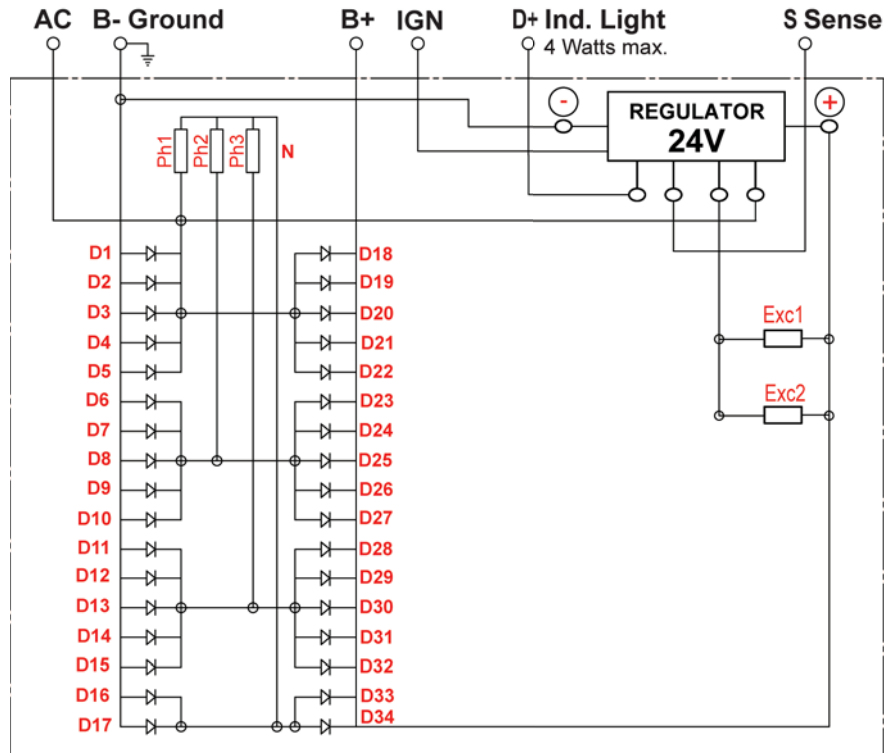


Dimensions are listed in mm over (in)

100-41204

28 Volts 525 Amps

ELECTRICAL SCHEMATIC



D100-41204 - 160912

CANADA & EXPORT SALES

Dixie Electric Ltd.
517 Basaltic Road
Concord, ON.
Canada L4K 4W8

Tel.: 905-879-0533 800-461-5799
Fax: 905-879-0532
E-Mail: sales@dixie-electric.com
Web Site: www.dixie-electric.com



U.S.A. SALES

Dixie Electric Inc.
17100 Medina Rd, Suite 100
Minneapolis, MN.
U.S.A. 55447-1249

Tel.: 763-475-6629 800-478-0608
Fax: 763-475-6635 800-392-8719
E-Mail: mn.sales@dixie-electric.com
Web Site: www.dixie-electric.com