

100-402091

28 Volts 525 Amps

PRODUCT SPECIFICATIONS

Part number	100-402091
System Voltage	24V
Rated Output	525A
Output @ 2000 rpm	335A
Ground	Negative
Mounting	Cradle
Rotation	Bidirectional
Pulley	8S, 3.56" OD
Temperature limits:	
Low	- 40°C / -40°F
High	110°C / 230°F (with fresh air intake hose)
Speed limits:	
	7000 RPM continuous
	8000 RPM intermittent
Coating	Corrosion-Resistant E-Coated
Weight	94 Lbs / 42.5 Kg.
Regulator	Remote
Relay/AC	M5 terminal
L /Run (Signal)	M6 terminal

ACCESSORIES:

Remote Voltage Regulator	# 3501-5025
Oil Line Cap Kit	# 4900-5000
(oil cooled to air cooled conversion)	

RECOMMENDED FOR:

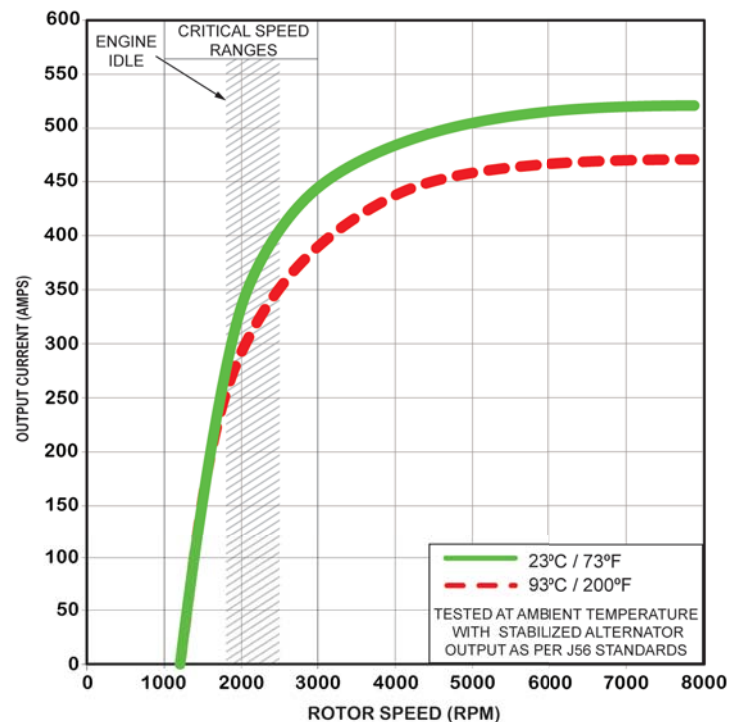
- Transit Bus
- Motor Coach
- Marine
- Mining
- Industrial



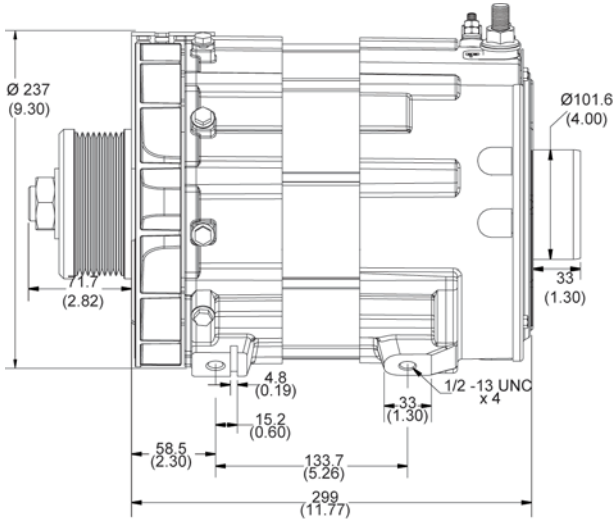
NOTE:

This DelStar 100-402091 alternator, meets the marine requirements for Ignition Protection on gas or diesel engines of ISO 8846, USCG, stated in Title 33 CFR 183.410, SAE J1171 and International CE Standards.

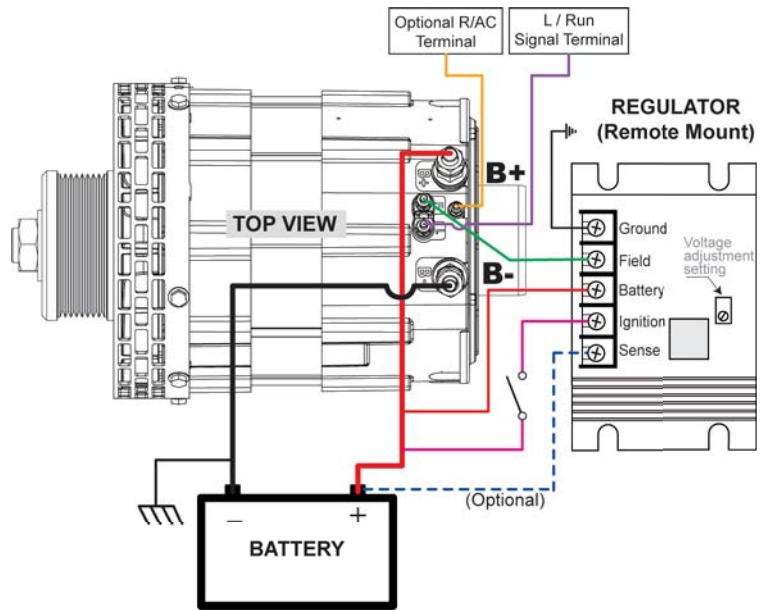
PERFORMANCE CURVES



OUTLINE



CONNECTIONS

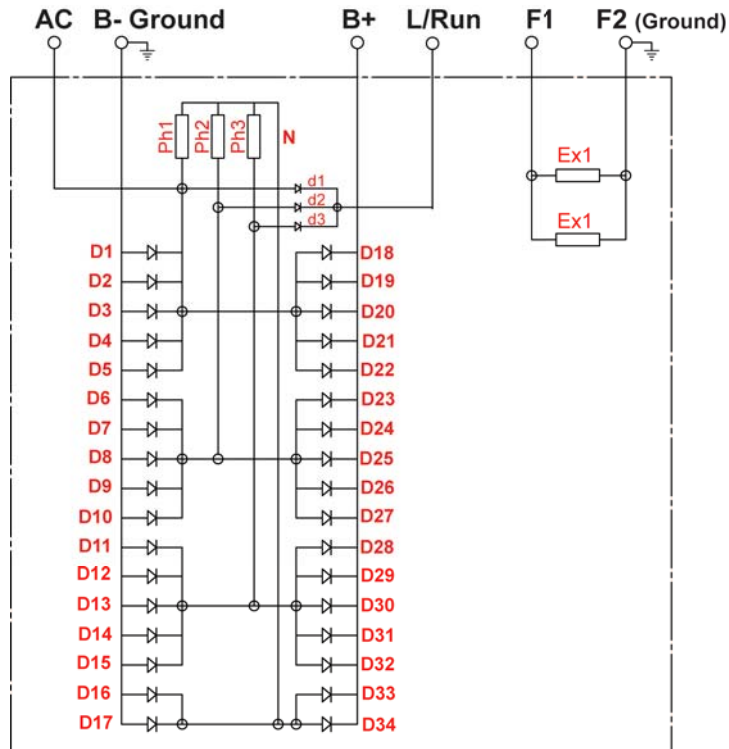


Dimensions are listed in mm over (in)

100-402091

28 Volts 525 Amps

ELECTRICAL SCHEMATIC



CANADA & EXPORT SALES

Dixie Electric Ltd. Tel.: 905-879-0533 800-461-5799
 517 Basaltic Road Fax: 905-879-0532
 Concord, ON. E-Mail: sales@dixie-electric.com
 Canada L4K 4W8 Web Site: www.dixie-electric.com



U.S.A. SALES

Dixie Electric Inc. Tel.: 763-475-6629 800-478-0608
 5600 Pioneer Creek Drive, Suite D Fax: 763-475-6635 800-392-8719
 Maple Plain, MN 55359 E-Mail: mn.sales@dixie-electric.com
 U.S.A. Web Site: www.dixie-electric.us