

100-25202,-D 28 Volts 320 Amps

PRODUCT SPECIFICATIONS

Part number	100-25202
System Voltage	24V
Rated Output	320A
Outout @ 2000 rpm	215A
Ground	Negative
Mounting	Custom Flange
Rotation	Bidirectional
Temperature limits:	
Low	- 40°C / -40°F
High	110°C / 230°F
High	125°C / 257°F (with fresh air intake)
Speed limits:	
	7000 RPM continuous
	8000 RPM intermittent
Coating	Corrosion-Resistant E-Coated
Weight	61.7 Lbs / 28 Kg.
Regulator	Integral
Indicator Light	Yes
Remote Sense Regulation	Yes
Soft Start Function	Yes
Field Short Circuit Protection	Yes
Load Dump Protection	Yes
Over Voltage Protection	Yes

ACCESSORIES:

90° Elbow Pkg. (360° Rotatable) # 46900-1800

RECOMMENDED FOR:

- Coach & Transit Busses
- Marine
- Mining
- Construction, Industrial



100-25202



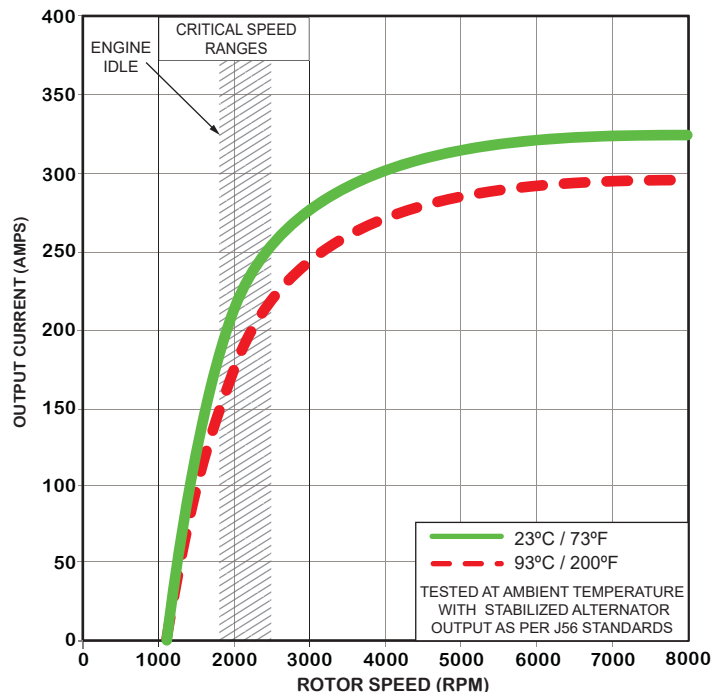
100-25202-D

with air intake cover & Optional 90° elbow

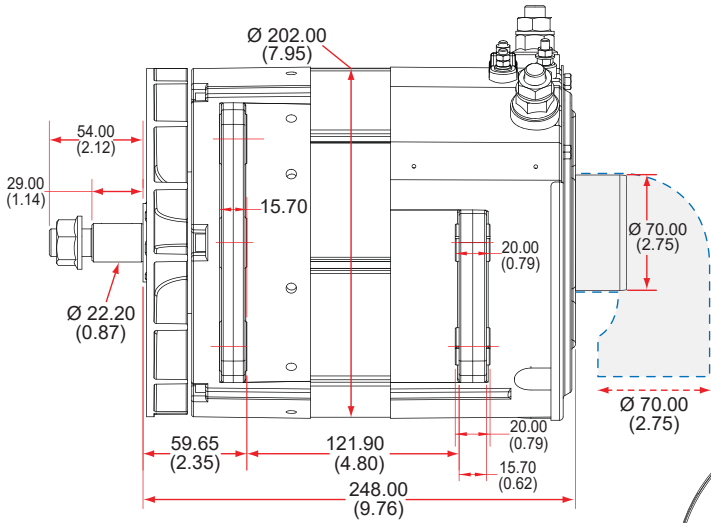
NOTE:

This DelStar 100-25202 alternator, meets the marine requirements for Ignition Protection on gas or diesel engines of ISO 8846, USCG, stated in Title 33 CFR 183.410, SAE J1171 and International CE Standards.

PERFORMANCE CURVES

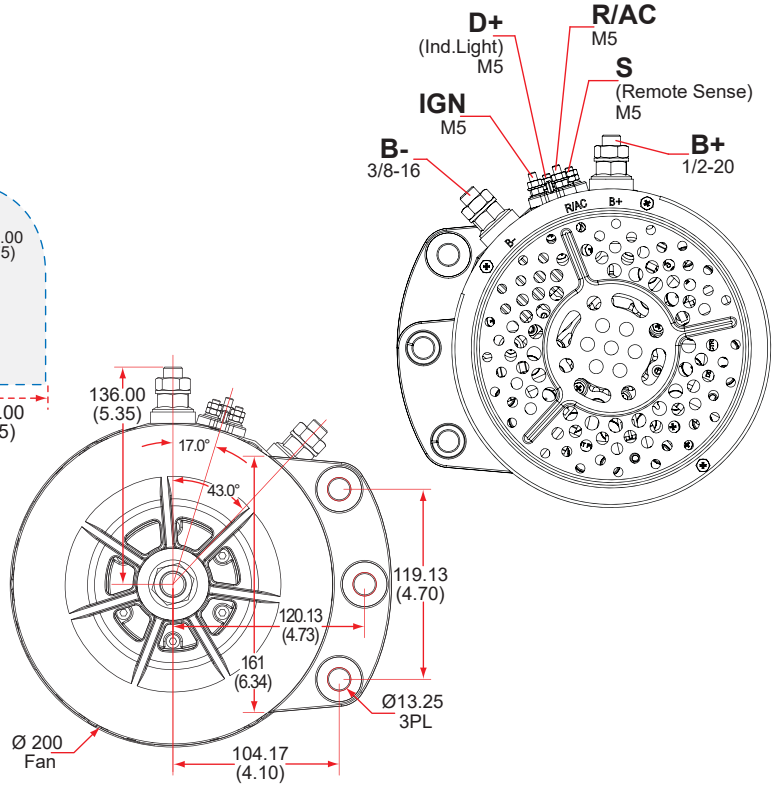


OUTLINE



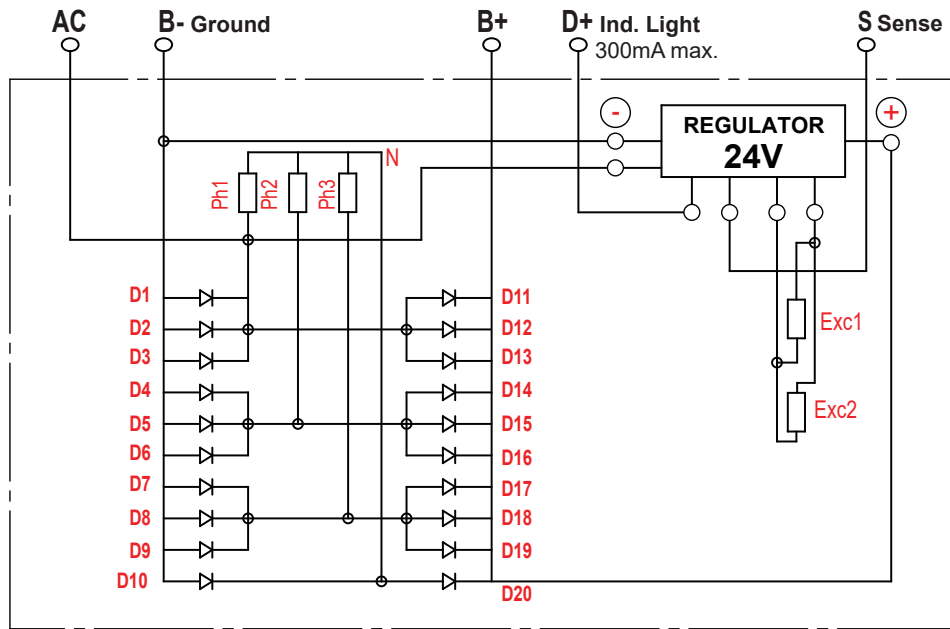
Dimensions are listed in mm over (in)

CONNECTIONS



100-25202,-D
28 Volts 320 Amps

ELECTRICAL SCHEMATIC



D100-25202 - Rev. 190801

CANADA & EXPORT SALES

Dixie Electric Ltd. Tel.: 905-879-0533 800-461-5799
517 Basaltic Road Fax: 905-879-0532
Concord, ON. E-Mail: sales@dixie-electric.com
Canada L4K 4W8 Web Site: www.dixie-electric.com



U.S.A. SALES

Dixie Electric Inc. Tel.: 763-475-6629 800-478-0608
5600 Pioneer Creek Drive, Suite D Fax: 763-475-6635 800-392-8719
Maple Plain, MN 55359 E-Mail: mn.sales@dixie-electric.com
U.S.A. Web Site: www.dixie-electric.us