

100-18202,-D 28 Volts 250 Amps

PRODUCT SPECIFICATIONS

Part number	100-18202
System Voltage	24V
Rated Output	250A
Output @ 2000 rpm	160A
Ground	Isolated
Mounting	J180 4" Hinge
Rotation	Bidirectional
Temperature limits:	
Low	-40°C / -40°F
High	110°C / 230°F
High	125°C / 257°F (with fresh air intake)
Speed limits:	
	8000 RPM continuous
	9000 RPM intermittent
Coating	Corrosion-Resistant E-Coating
Weight	46 Lbs / 21 Kg.
Regulator	Integral
Excitation	Self-Excited (@ < 1600 rpm)
Indicator Light	M5 terminal (Optional)
Remote Sense	M5 terminal (Optional)
AC	M5 terminal

ACCESSORIES:

90° Elbow Pkg. (360° Rotatable) # 46900-1800

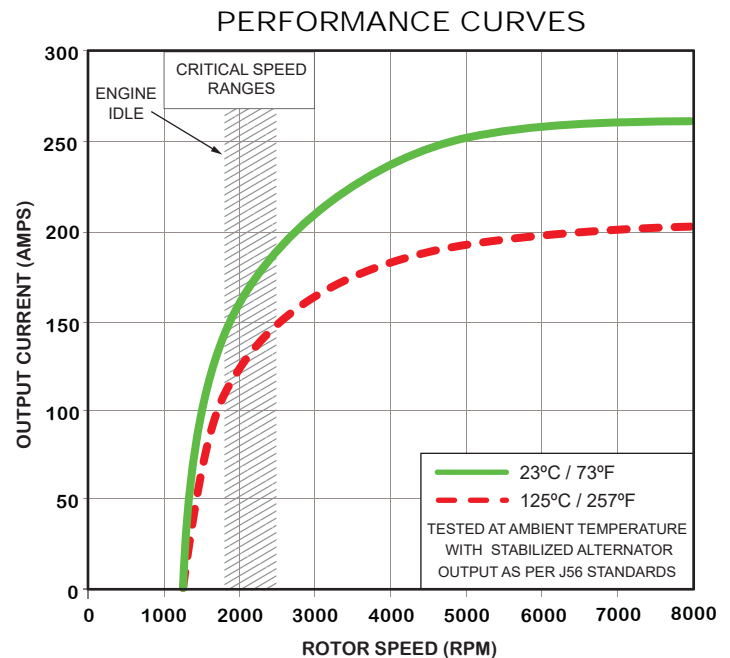
RECOMMENDED FOR:

- Utility Vehicles
- Marine
- Mining
- Industrial
- Construction



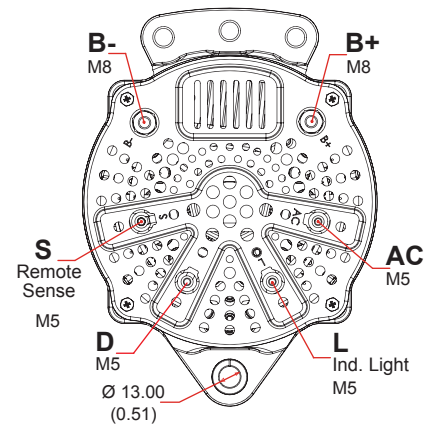
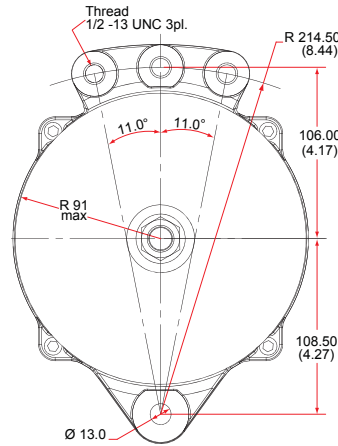
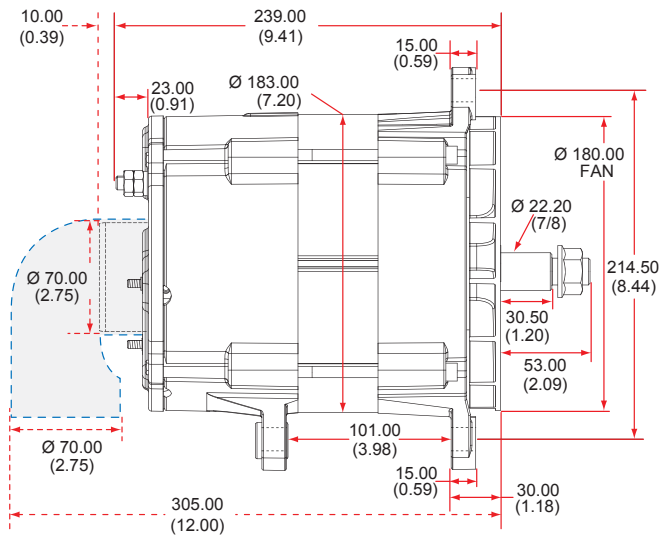
NOTE:

This DelStar 100-18202 alternator, meets the marine requirements for Ignition Protection on gas or diesel engines of ISO 8846, USCG, stated in Title 33 CFR 183.410, SAE J1171 and International CE Standards.



OUTLINE

CONNECTIONS

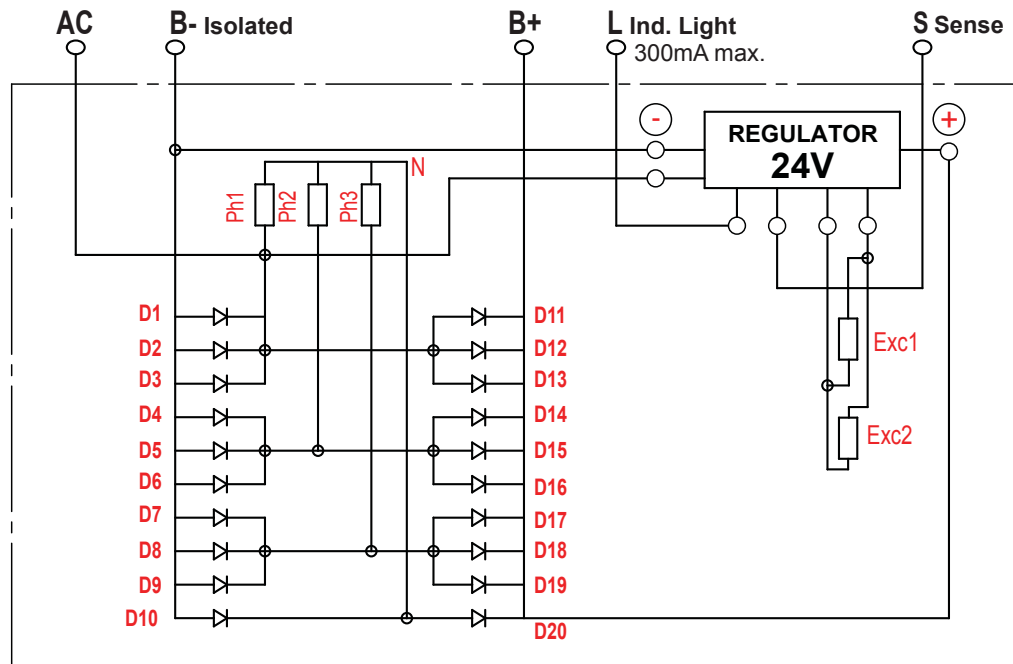


Dimensions are listed in mm over (in)

100-18202

28 Volts 250 Amps

ELECTRICAL SCHEMATIC



D100-18202 - Rev: 191015

CANADA

Dixie Electric Ltd.
517 Basaltic Road
Concord, ON.
Canada L4K 4W8

Tel.: 905-879-0533 800-461-5799
Fax: 905-879-0532
E-Mail: sales@dixie-electric.com
Web Site: www.dixie-electric.com



Setting the Standard

U.S.A.

Dixie Electric Inc.
5600 Pioneer Creek Drive, Suite D
Maple Plain, MN 55359
U.S.A.

Tel.: 763-475-6629 800-478-0608
Fax: 763-475-6635 800-392-8719
E-Mail: mn.sales@dixie-electric.com
Web Site: www.dixie-electric.us