

100-16115,-D 14 Volts 200 Amps

PRODUCT SPECIFICATIONS

| | |
|---|--|
| Part number | 100-16115 |
| System Voltage | 12V |
| Rated Output | 200A |
| Output @ 2000 rpm | 116A |
| Ground | Isolated |
| Mounting | PAD |
| Rotation | CW |
| Temperature limits: | |
| Low | -40°C / -40°F |
| High | 110°C / 230°F |
| High | 125°C / 257°F (with fresh air intake) |
| Speed limits: | 8000 RPM continuous 9000 RPM intermittent |
| Coating | Corrosion-Resistant E-Coated |
| Weight | 28 Lbs / 12.7 Kg. |
| Regulator | Integral |
| Excitation | Self-excite (@ 1500 rpm or less) |
| Indicator Light | Yes |
| Remote Sense Regulation | Yes |
| Soft Start Function | Yes |
| 6 Sec. Load Response Control (LRC) | Yes |
| Field Short Circuit Protection | Yes |
| Load Dump Protection | Yes |
| Over Voltage Protection | Yes |

RECOMMENDED FOR:

- School & Shuttle Buses
- Utility Vehicles
- Marine & Mining
- Agricultural
- Construction & Industrial



100-16115

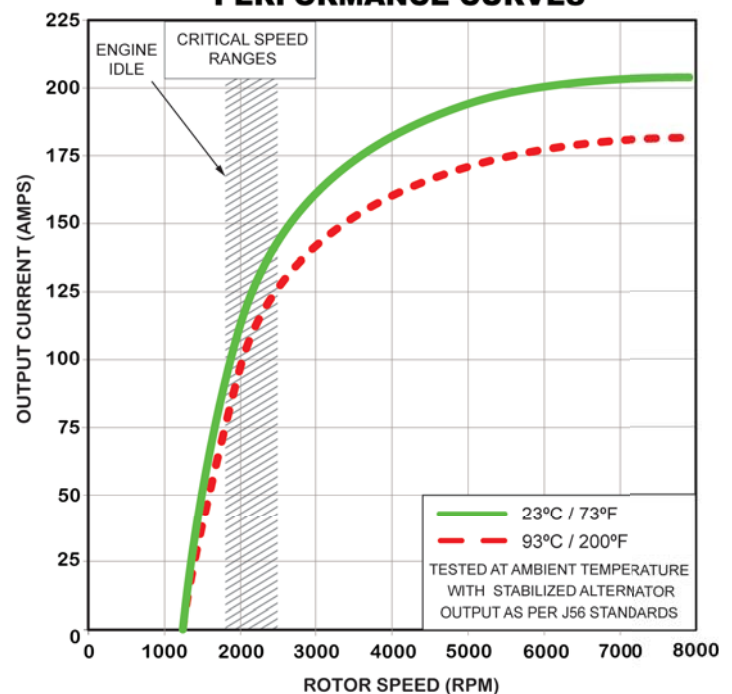


100-16115-D
with air intake cover

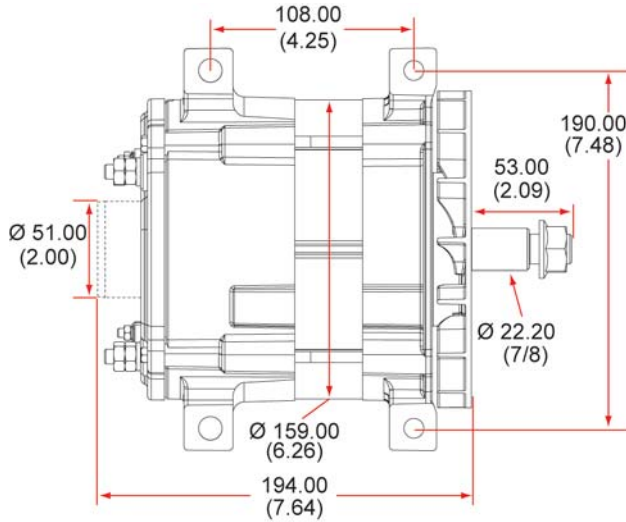
NOTE:

This DelStar 100-16115 alternator, meets the marine requirements for Ignition Protection on gas or diesel engines of ISO 8846, USCG, stated in Title 33 CFR 183.410, SAE J1171 and International CE Standards.

PERFORMANCE CURVES

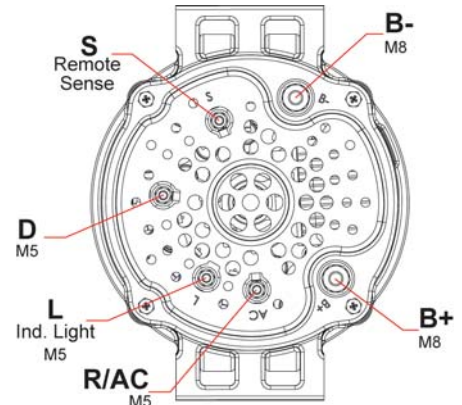


OUTLINE



Dimensions are listed in mm over (in)

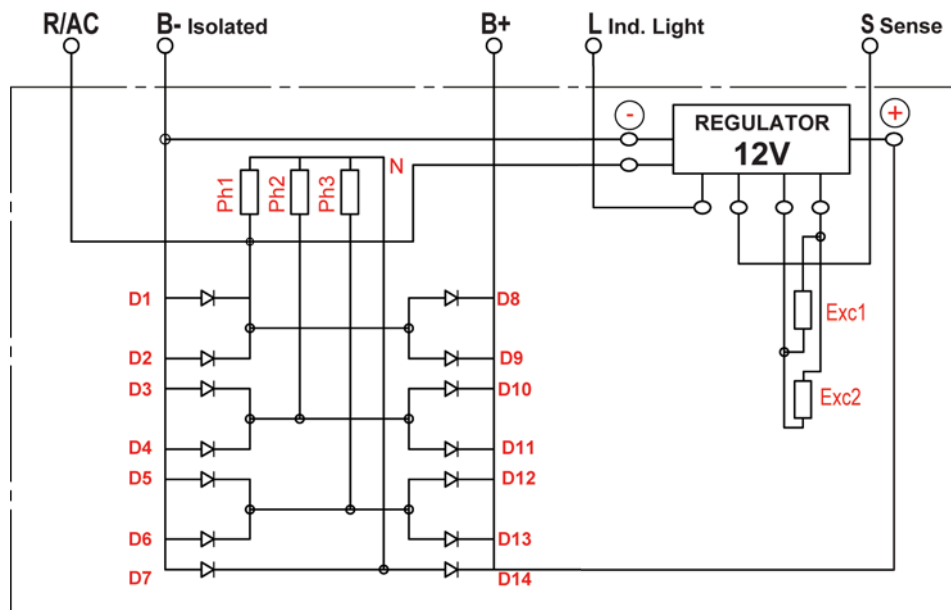
CONNECTIONS



If the vehicle has an ignition (excite) circuit, connect wire to "D" (dummy) terminal.

100-16115
14 Volts 200 Amps

ELECTRICAL SCHEMATIC



D100-16115 - 151111

CANADA & EXPORT SALES

Dixie Electric Ltd. Tel.: 905-879-0533 800-461-5799
517 Basaltic Road Fax: 905-879-0532
Concord, ON. E-Mail: sales@dixie-electric.com
Canada L4K 4W8 Web Site: www.dixie-electric.com



U.S.A. SALES

Dixie Electric Inc. Tel.: 763-475-6629 800-478-0608
17100 Medina Rd, Suite 100 Fax: 763-475-6635 800-392-8719
Minneapolis, MN. E-Mail: mn.sales@dixie-electric.com
U.S.A. 55447-1249 Web Site: www.dixie-electric.com