

100-16102,-D

14 Volts 300 Amps

PRODUCT SPECIFICATIONS

| | |
|------------------------------------|---------------------------------------|
| Part number | 100-16102 |
| System Voltage | 12V |
| Rated Output | 300A |
| Output @ 2000 rpm | 140A |
| Ground | Negative |
| Mounting | J180 4" Hinge |
| Rotation | CW |
| Temperature limits: | |
| Low | -40°C / -40°F |
| High | 110°C / 230°F |
| High | 125°C / 257°F (with fresh air intake) |
| Speed limits: | |
| | 8000 RPM continuous |
| | 9000 RPM intermittent |
| Coating | Corrosion-Resistant E-Coated |
| Weight | 28 Lbs / 12.7 Kg. |
| Regulator | Integral |
| Excitation | Self-excite (@ 1500 rpm or less) |
| Indicator Light | Yes |
| Remote Sense Regulation | Yes |
| Soft Start Function | Yes |
| 6 Sec. Load Response Control (LRC) | Yes |
| Field Short Circuit Protection | Yes |
| Load Dump Protection | Yes |
| Over Voltage Protection | Yes |

RECOMMENDED FOR:

- School & Shuttle Buses
- Utility Vehicles
- Marine & Mining
- Agricultural
- Construction & Industrial

100-16102



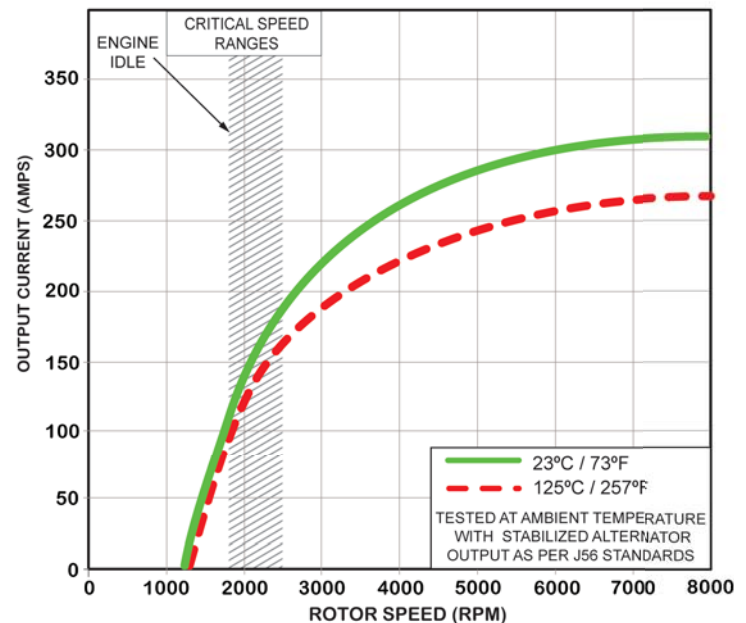
100-16102-D
with air intake cover



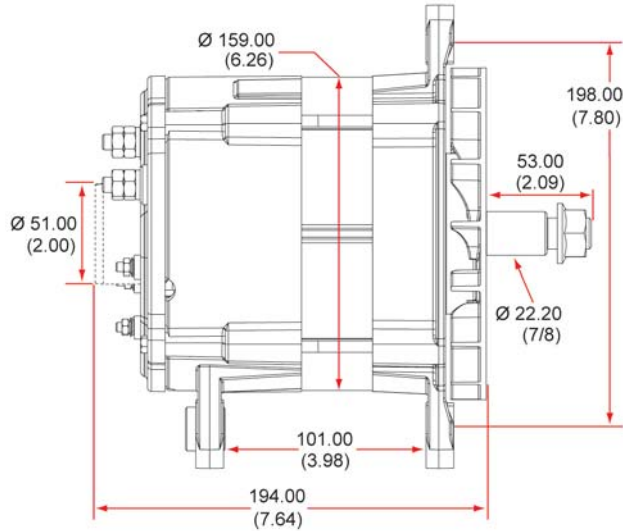
NOTE:

This DelStar 100-16102 alternator, meets the marine requirements for Ignition Protection on gas or diesel engines of ISO 8846, USCG, stated in Title 33 CFR 183.410, SAE J1171 and International CE Standards.

PERFORMANCE CURVES

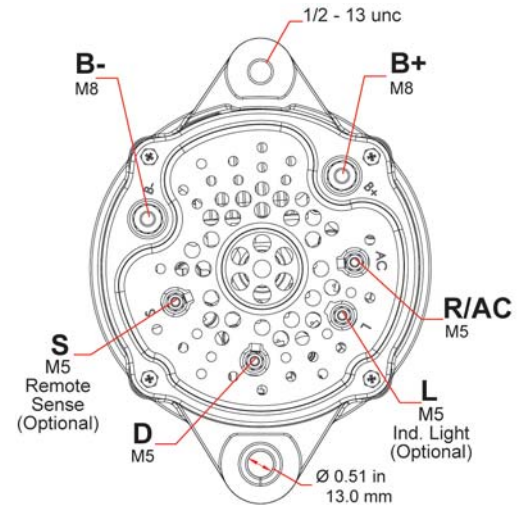


OUTLINE



Dimensions are listed in mm over (in)

CONNECTIONS

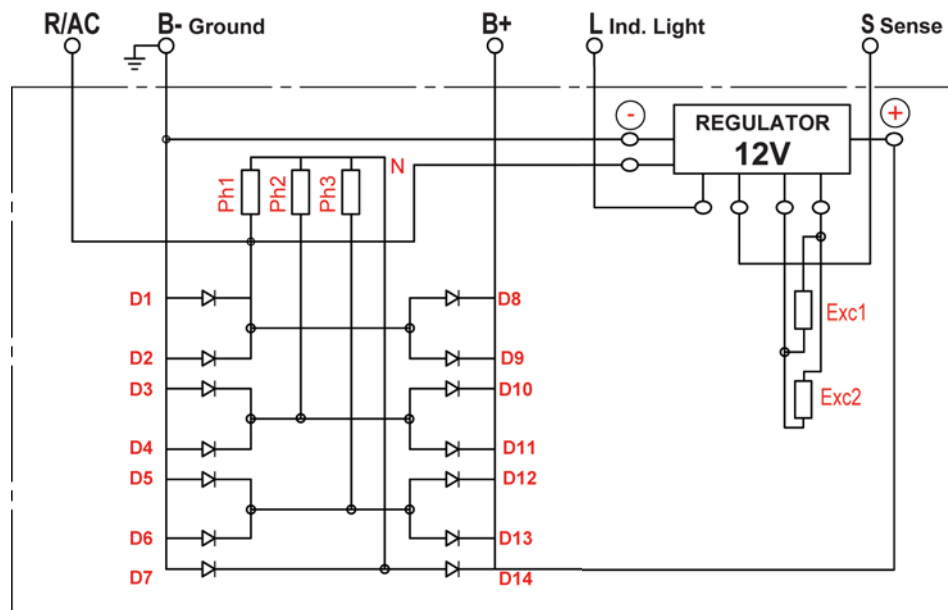


If the vehicle has an ignition (excite) circuit, connect wire to "D" (dummy) terminal.

100-16102

14 Volts 300 Amps

ELECTRICAL SCHEMATIC



D100-16102 - 151130

CANADA & EXPORT SALES

Dixie Electric Ltd.
517 Basaltic Road
Concord, ON.
Canada L4K 4W8

Tel.: 905-879-0533 800-461-5799
Fax: 905-879-0532
E-Mail: sales@dixie-electric.com
Web Site: www.dixie-electric.com



U.S.A. SALES

Dixie Electric Inc.
17100 Medina Rd, Suite 100
Minneapolis, MN.
U.S.A. 55447-1249

Tel.: 763-475-6629 800-478-0608
Fax: 763-475-6635 800-392-8719
E-Mail: mn.sales@dixie-electric.com
Web Site: www.dixie-electric.com