

# 3500-50251

## Voltage Regulator



## FEATURES

- “B” Circuit, High Drive Regulator
- Voltage Set Point  $28.20 \pm 0.20V$  @  $25^{\circ}C$  ambient
- Adjustable Voltage Set Point 28.0V to 29V
- High Field Current Capability of 20A @  $110^{\circ}C$
- 200V High Field Power Mosfet
- Operating Temperature:  $-40^{\circ}C$  to  $125^{\circ}C$
- Leakage Current  $< 2.0mA$  Max
- Fail Safe Voltage Protection:  $31 \pm 1V$
- Over Volatge Shut-Down:  $31 \pm 1V$

### Applications:

DelStar 24V alternators  
with remote voltage regulator.

### Replaces:

Remy 50VR, 10503806 (50DN Type)

### CANADA & EXPORT SALES

Dixie Electric Ltd. Tel.: 905-879-0533 800-461-5799  
517 Basaltic Road Fax: 905-879-0532  
Concord, ON. E-Mail: sales@dixie-electric.com  
Canada L4K 4W8 Web Site: www.dixie-electric.com



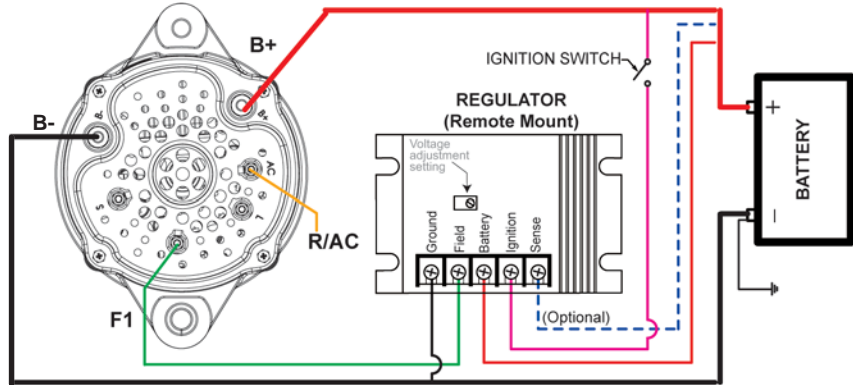
### U.S.A. SALES

Dixie Electric Inc.  
17100 Medina Rd, Suite 100  
Minneapolis, MN.  
U.S.A. 55447-1249

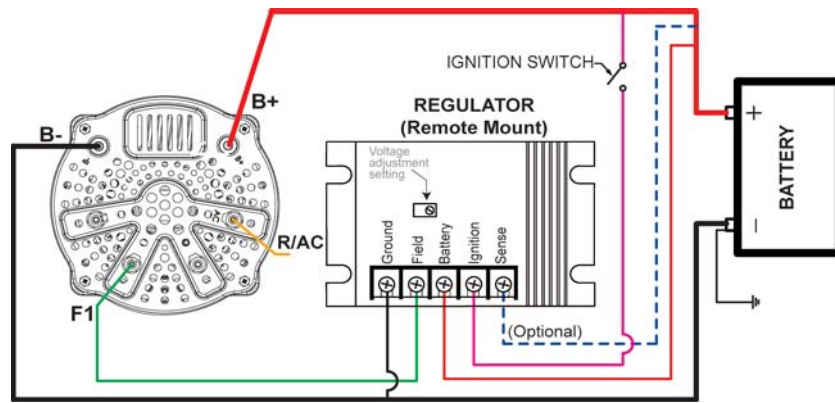
Tel.: 763-475-6629 800-478-0608  
Fax: 763-475-6635 800-392-8719  
E-Mail: mn.sales@dixie-electric.com  
Web Site: www.dixie-electric.us

WIRING DIAGRAMS

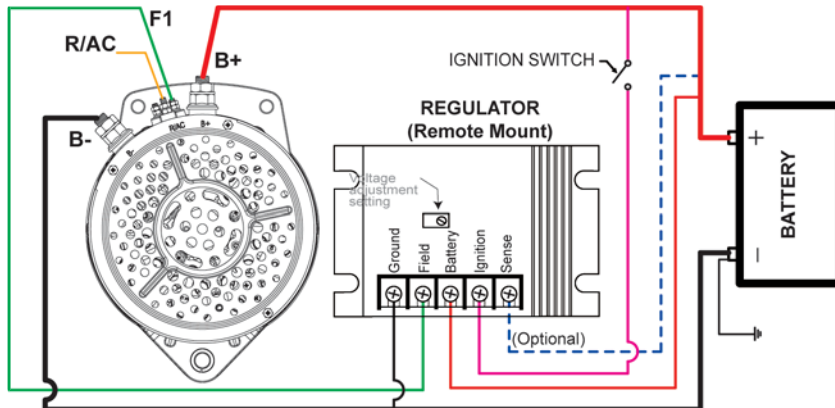
Recommended Wiring for  
**DelStar Series 160**



Recommended Wiring for  
**DelStar Series 170 &  
DelStar Series 180**



Recommended Wiring for  
**DelStar Series 200**



Recommended Wiring for  
**DelStar Series 300 &  
DelStar Series 400**

