

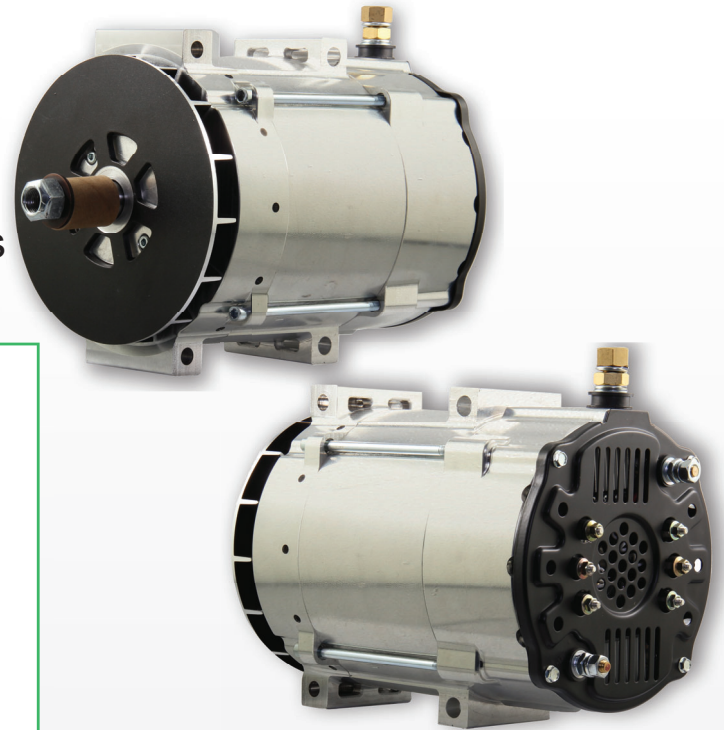
# HD BRUSHLESS

189

## DUAL VOLTAGE

SERIES

**100-18901**  
14 Volts 200 Amps & 28 Volts 100 Amps



### PRODUCT SPECIFICATIONS

<b>Part number</b>	100-18901
<b>System Voltage</b>	Dual Voltage: 14V and 28V
<b>Rated Output</b>	@6000 rpm 200A x 14V + 100A x 28V = 5.6 KW
<b>Rated Output</b>	@2000 rpm 115A x 14V + 65A x 28V = 3.4 KW
<b>Ground</b>	Negative (Note: option available for insulated ground type)
<b>Mounting</b>	Pad Mount
<b>Rotation</b>	Bidirectional
<b>Temperature limits:</b>	
Low	Low -40 deg. C
High	High 110 deg. C
<b>Speed limits:</b>	
	8000 RPM continuous
	9000 RPM intermittent
<b>Coating</b>	Corrosion-Resistant E-Coated
<b>Weight</b>	21 Kg.
<b>Regulator</b>	internal type, voltage setpoint: 14.2V for the 12V side & 28.2V for the 24V side
<b>Excitation</b>	Self-Excited @ 1600 rpm or less
<b>Remote Sense Regulation</b>	Yes
<b>Soft Start Function (SSD)</b>	Yes
<b>Over Voltage Shut-Down (OSD)</b>	Yes
<b>Field Short Circuit Protection</b>	Yes
<b>Load Dump Protection</b>	Yes

### RECOMMENDED FOR:

- Motorhome RV
- Trucks, Buses and Motorcoaches
- Agricultural & Forestry
- Industrial & Construction
- Emergency Vehicles
- Marine, Mining

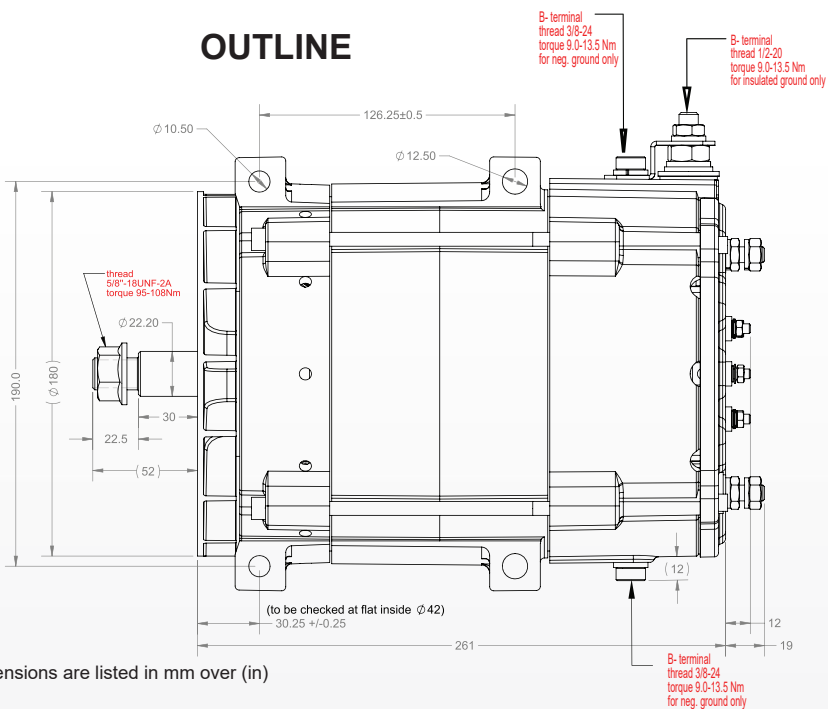
### PRODUCT FEATURES:

This DelStar dual voltage brushless alternator 100-18901 produces two simultaneous and independently regulated electrical outputs. It can power at the same time the standard vehicle 12V electrical system and the auxiliary 24V electrical system. The alternator is brushless type therefore there are no rotating windings, brushes, and slip rings. This increases durability, extends service life, eliminates arcing and reduces the electromagnetic interference (EMI). Meets the marine requirements for Ignition Protection on gas or diesel engines of ISO 8846, USCG, stated in Title 33 CFR 183.410, SAE J1171 and International CE Standards.

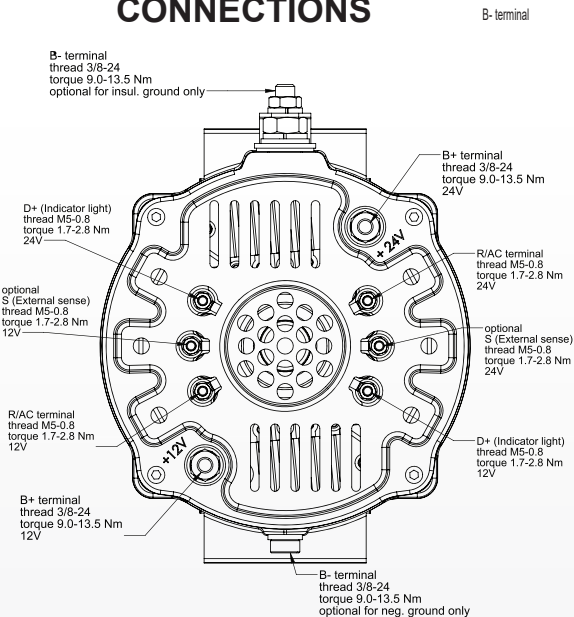
# ALTERNATORS

# SERIES 189

## OUTLINE



## CONNECTIONS



## 100-18901

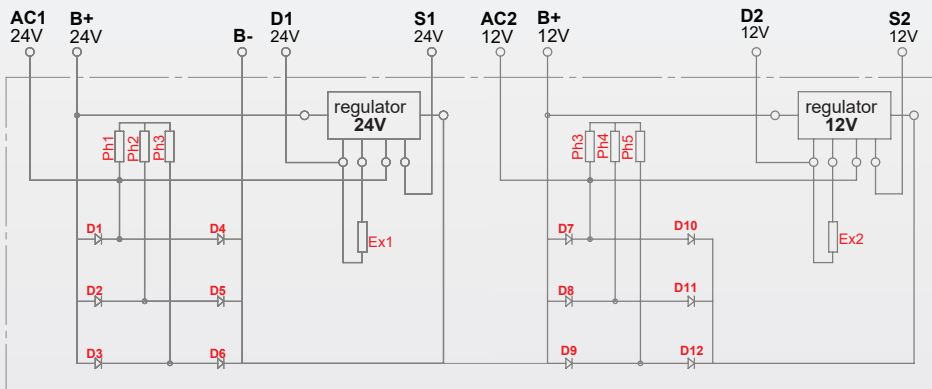
14 Volts 200 Amps & 28 Volts 100 Amps

## PERFORMANCE CURVES

Hot stabilized output at 25 deg. C ambient per SAE J56 standard:

14 Volt		28 Volt	
rpm	Amps	rpm	Amps
1800	92	1800	57
2000	115	2000	65
3000	172	3000	92
4000	192	4000	101
5000	203	5000	106
6000	205	6000	107

## ELECTRICAL SCHEMATIC



### CANADA & EXPORT SALES

Dixie Electric  
517 Basaltic Road  
Concord, ON  
Canada L4K 4W8

Tel: 905-879-0533 | 800-461-5799  
Fax: 905-879-0532  
E-Mail: sales@dixie-electric.com  
www.dixie-electric.com



### U.S.A. SALES

Dixie Electric Inc.  
5600 Pioneer Creek Drive, Suite D  
Maple Plain, MN 55359  
U.S.A.

Tel: 763-475-6629 | 800-478-0608  
Fax: 763-475-6635 | 800-392-8719  
E-Mail: mn.sales@dixie-electric.com  
www.dixie-electric.us