

100-40219

28 Volts 600 Amps

PRODUCT SPECIFICATIONS

Part number	100-40219
System Voltage	24V
Rated Output	600A
Output @ 2000 rpm	344A
Ground	Isolated
Noise Suppression	Built-in (SAE-J1908 Standard)
Mounting	Cradle
Rotation	Bidirectional
Temperature limits:	
Low	- 40°C / -40°F
High	110°C / 230°F (with fresh air intake hose)
Speed limits:	7000 RPM continuous 8000 RPM intermittent
Coating	Corrosion-Resistant E-Coated
Weight	94 Lbs / 42.5 Kg.
Regulator	Remote
Relay/AC	M5 terminal
L /Run (Signal)	M6 terminal

ACCESSORIES:

8-Groove Clutch Pulley	# 2400-4000
Remote Voltage Regulator	# 3500-50251

RECOMMENDED FOR:

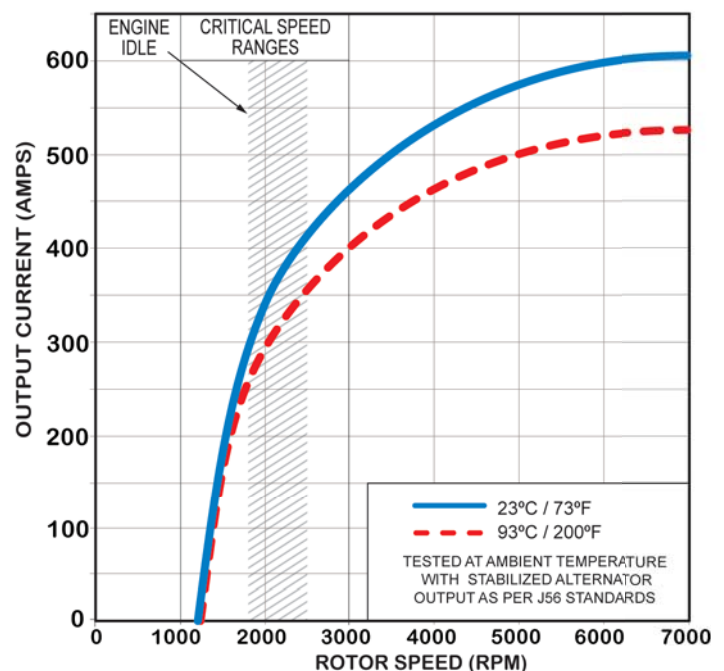
- Transit Bus
- Motor Coach
- Marine
- Mining
- Industrial



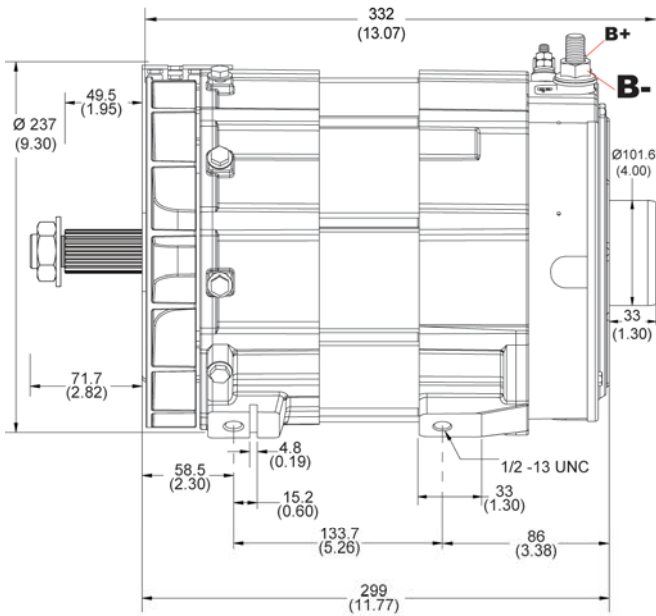
NOTE:

This DelStar 100-40219 alternator, meets the marine requirements for Ignition Protection on gas or diesel engines of ISO 8846, USCG, stated in Title 33 CFR 183.410, SAE J1171 and International CE Standards.

PERFORMANCE CURVES



OUTLINE

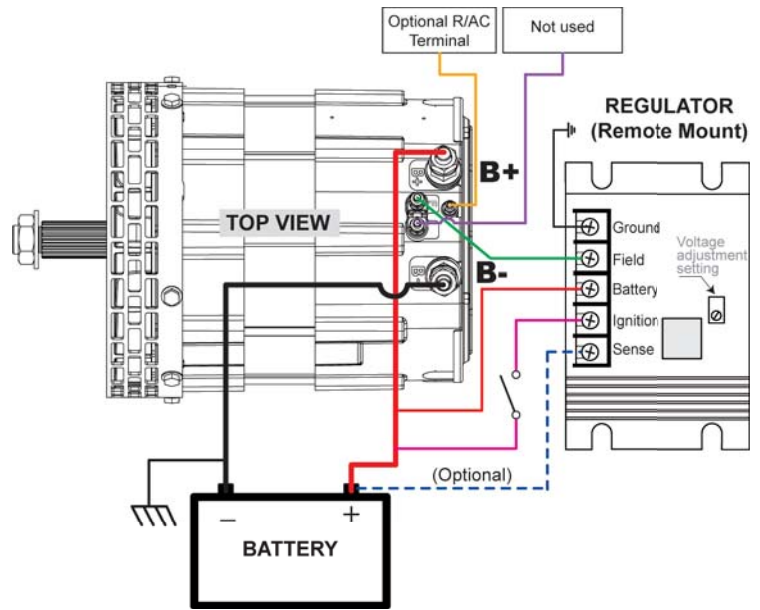


Dimensions are listed in mm over (in)

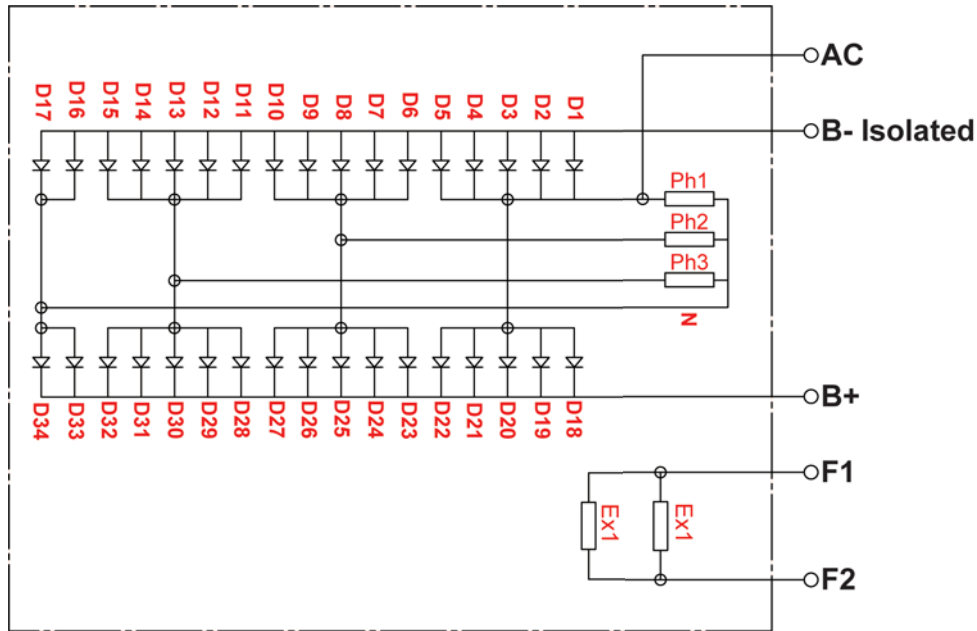
100-40219

28 Volts 600 Amps

CONNECTIONS



ELECTRICAL SCHEMATIC



D100-40219 - 170803

CANADA & EXPORT SALES

Dixie Electric Ltd.
517 Basaltic Road
Concord, ON.
Canada L4K 4W8
Tel.: 905-879-0533 800-461-5799
Fax: 905-879-0532
E-Mail: sales@dixie-electric.com
Web Site: www.dixie-electric.com
www.delstar-hd.com



U.S.A. SALES

Dixie Electric Inc.
17100 Medina Rd, Suite 100
Minneapolis, MN.
U.S.A. 55447-1249
Tel.: 763-475-6629 800-478-0608
Fax: 763-475-6635 800-392-8719
E-Mail: mn.sales@dixie-electric.com
Web Site: www.dixie-electric.us