

### 100-40212 28 Volts 525 Amps

#### PRODUCT SPECIFICATIONS

<b>Part number</b>	100-40212
<b>System Voltage</b>	24V
<b>Rated Output</b>	525A
<b>Output @ 2000 rpm</b>	335A
<b>B+ Terminal</b>	@ 11:00 o'clock, viewed from pulley side (for B+ @ 1:00 o'clock see 100-40211)
<b>Ground</b>	Negative
<b>Mounting</b>	Cradle
<b>Rotation</b>	Bidirectional
<b>Temperature limits:</b>	
Low	- 40°C / -40°F
High	93°C / 200°F (with air precleaner)
High	110°C / 230°F (with fresh air intake hose)
<b>Speed limits:</b>	
	7000 RPM continuous
	8000 RPM intermittent
<b>Coating</b>	Corrosion-Resistant E-Coated
<b>Weight</b>	94 Lbs / 42.5 Kg.
<b>Regulator</b>	Remote
<b>Relay/AC</b>	M5 terminal
<b>L /Run (Signal)</b>	M6 terminal

#### ACCESSORIES:

<b>Remote Voltage Regulator</b>	# 3500-50251
<b>Air Precleaner</b>	# 4800-2101
<b>Oil Line Cap Kit</b>	# 4900-5000
(oil cooled to air cooled conversion)	

#### RECOMMENDED FOR:

- Transit Bus
- Motor Coach
- Marine
- Mining
- Industrial

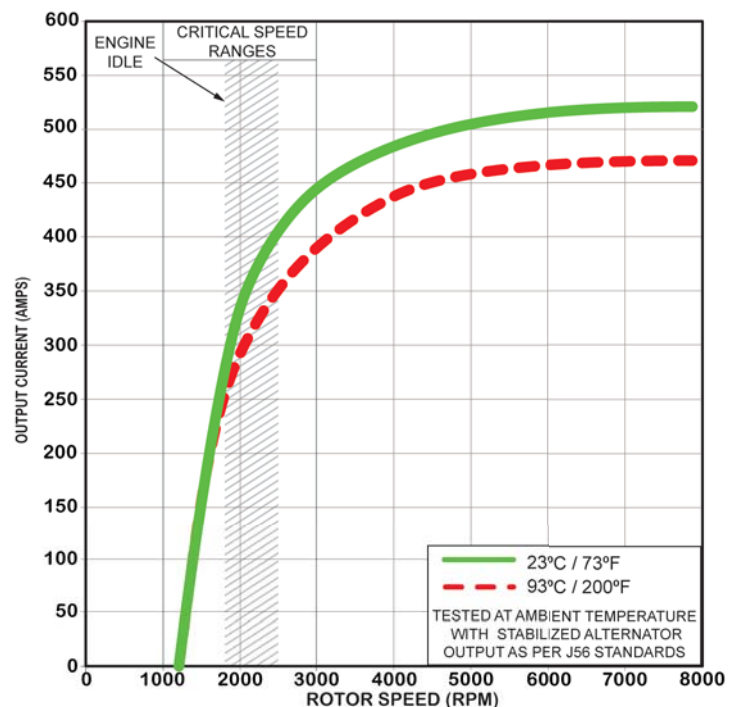


With Air Precleaner (as supplied)

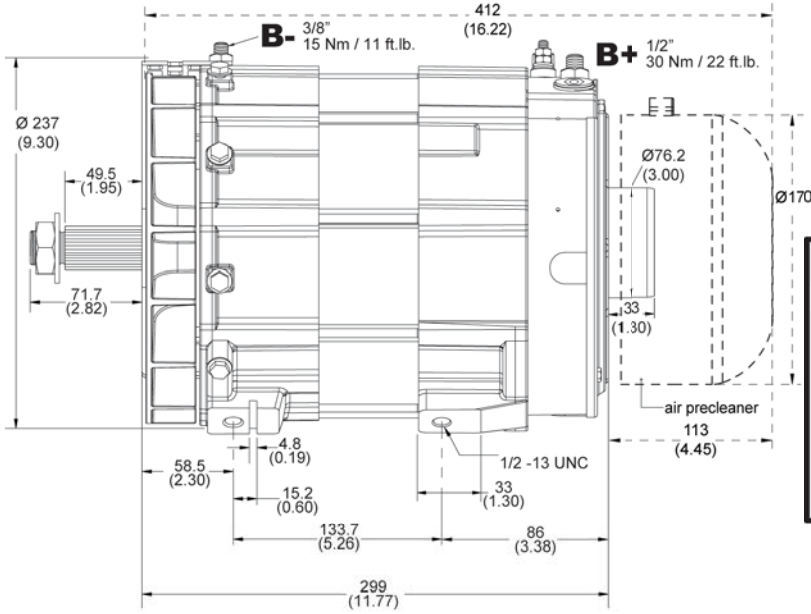
#### NOTE:

*This DelStar 100-40212 alternator, meets the marine requirements for Ignition Protection on gas or diesel engines of ISO 8846, USCG, stated in Title 33 CFR 183.410, SAE J1171 and International CE Standards.*

#### PERFORMANCE CURVES

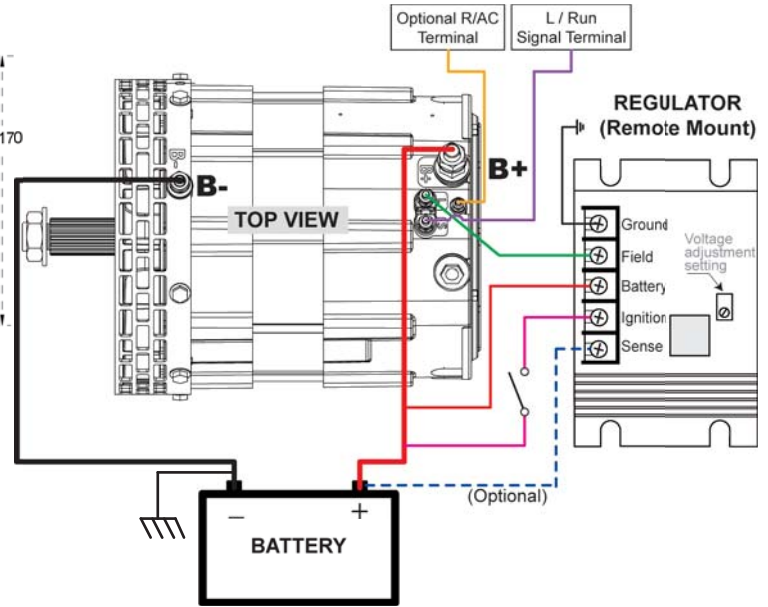


### OUTLINE



Dimensions are listed in mm over (in)

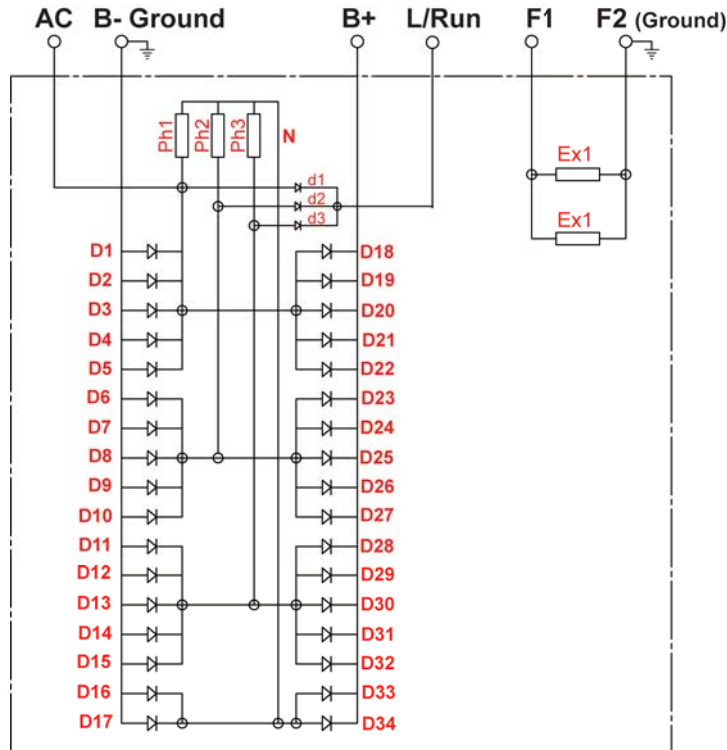
### CONNECTIONS



100-40212

28 Volts 525 Amps

### ELECTRICAL SCHEMATIC



#### CANADA & EXPORT SALES

Dixie Electric Ltd. Tel.: 905-879-0533 800-461-5799  
 517 Basaltic Road Fax: 905-879-0532  
 Concord, ON. E-Mail: sales@dixie-electric.com  
 Canada L4K 4W8 Web Site: www.dixie-electric.com



#### U.S.A. SALES

Dixie Electric Inc. Tel.: 763-475-6629 800-478-0608  
 17100 Medina Rd, Suite 100 Fax: 763-475-6635 800-392-8719  
 Minneapolis, MN. E-Mail: mn.sales@dixie-electric.com  
 U.S.A. 55447-1249 Web Site: www.dixie-electric.com