

100-312091-D

28 Volts 360 Amps

PRODUCT SPECIFICATIONS

Part number	100-312091-D
System Voltage	24V
Rated Output	360A
Output @ 2000 rpm	245A
B+ Terminal	@ 1:00 o'clock, viewed from pulley side
Ground	Negative
Mounting	Cradle
Rotation	Bidirectional
Pulley	8S, 3.56" OD

Temperature limits:

Low	- 40°C / -40°F
High	93°C / 200°F (with air precleaner)
High	110°C / 230°F (with fresh air intake hose)

Speed limits:	7000 RPM continuous
	8000 RPM intermittent

Coating Corrosion-Resistant E-Coated

Weight 77 Lbs / 35 Kg.

Regulator Internal

Excitation Self-Exite

Indicator Light Yes

Remote Sense Yes

Soft Start Delay (SSD) Yes

Field Short Circuit Protection Yes

Load Dump Protection Yes

Overvoltage Shut-Down (OSD) Yes

ACCESSORIES:

Air Precleaner # 4800-2101

RECOMMENDED FOR:

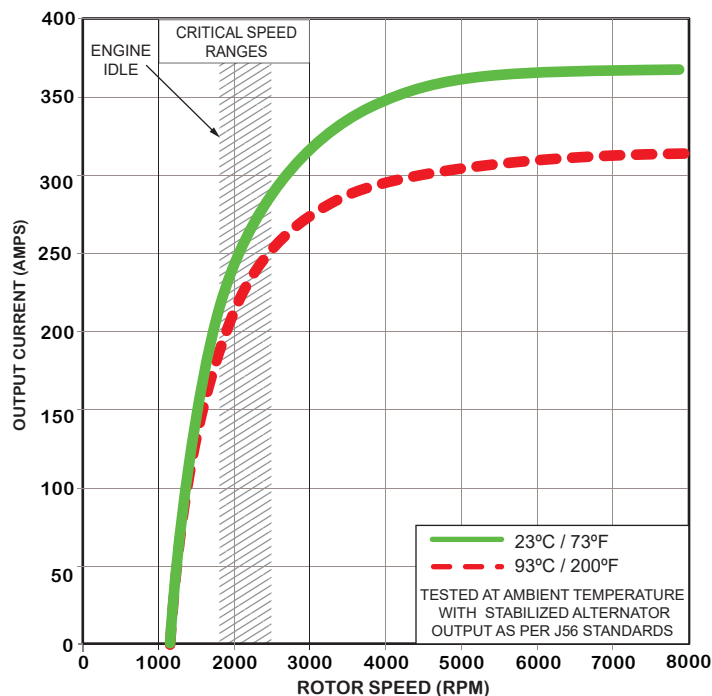
- Transit Bus
- Mining
- Marine
- Motor Coach
- Industrial



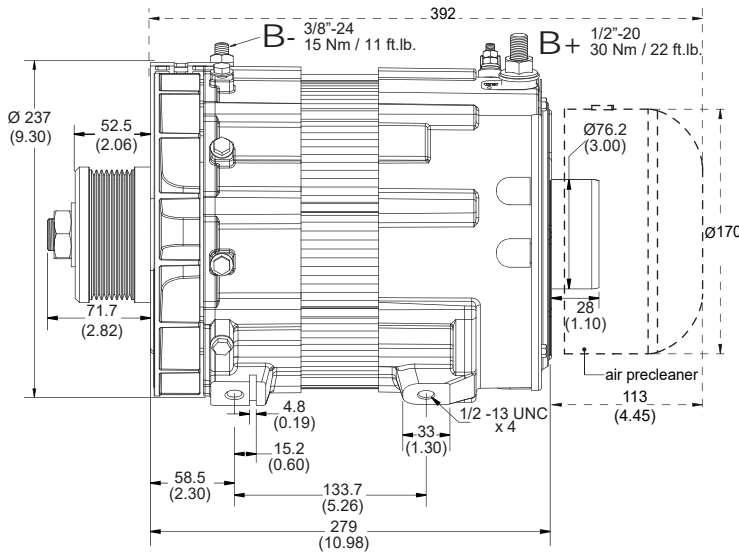
NOTE:

This DelStar 100-312091-D alternator, meets the marine requirements for Ignition Protection on gas or diesel engines of ISO 8846, USCG, stated in Title 33 CFR 183.410, SAE J1171 and International CE Standards.

PERFORMANCE CURVES

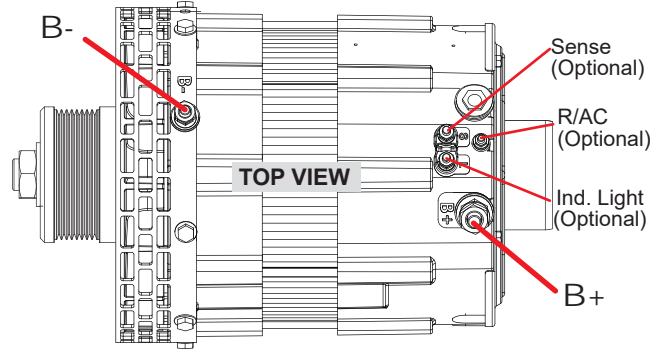


OUTLINE



Dimensions are listed in mm over (in)

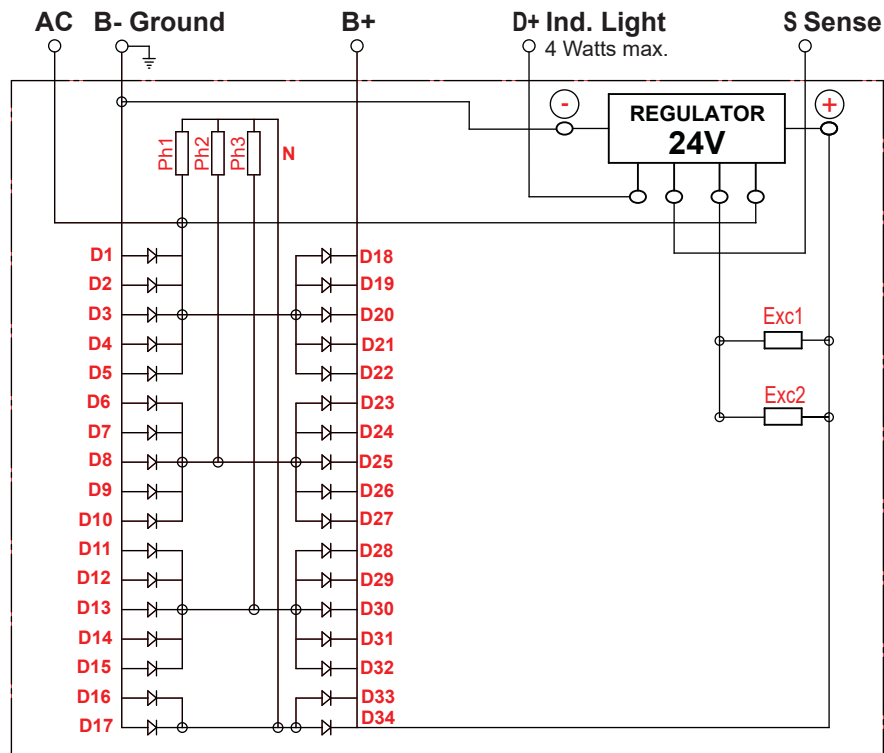
CONNECTIONS



100-312091-D

28 Volts 360 Amps

ELECTRICAL SCHEMATIC



D100-312091 - 160624 Rev. 190422

CANADA & EXPORT SALES

Dixie Electric Ltd.
517 Basaltic Road
Concord, ON.
Canada L4K 4W8
Tel.: 905-879-0533 800-461-5799
Fax: 905-879-0532
E-Mail: sales@dixie-electric.com
Web Site: www.dixie-electric.com



© 2014 Dixie Electric Limited. All rights reserved.

U.S.A. SALES

Dixie Electric Inc.
5600 Pioneer Creek Drive, Suite D
Maple Plain, MN 55359
U.S.A.
Tel.: 763-475-6629 800-478-0608
Fax: 763-475-6635 800-392-8719
E-Mail: mn.sales@dixie-electric.com
Web Site: www.dixie-electric.us