

100-302071

28 Volts 330 Amps

PRODUCT SPECIFICATIONS

Part number	100-302071
System Voltage	24V
Rated Output	330A
Output @ 2000 rpm	225A
B+ Terminal	@ 1:00 o'clock, viewed from pulley side (for B+ @ 11:00 o'clock see 100-30210)
Ground	Negative
Mounting	Cradle
Rotation	Bidirectional
Temperature limits:	
Low	-40°C / -40°F
High	93°C / 200°F (with air precleaner)
High	110°C / 230°F (with fresh air intake hose)
Speed limits:	
	7000 RPM continuous
	8000 RPM intermittent
Coating	Corrosion-Resistant E-Coated
Weight	77 Lbs / 35 Kg.
Regulator	Remote
Relay/AC	M5 terminal

ACCESSORIES:

Remote Voltage Regulator	# 3500-50251
Air Precleaner	# 4800-2101
Oil Line Cap Kit	# 4900-5000 (oil cooled to air cooled conversion)

RECOMMENDED FOR:

- Transit Bus
- Motor Coach
- Marine
- Mining
- Industrial

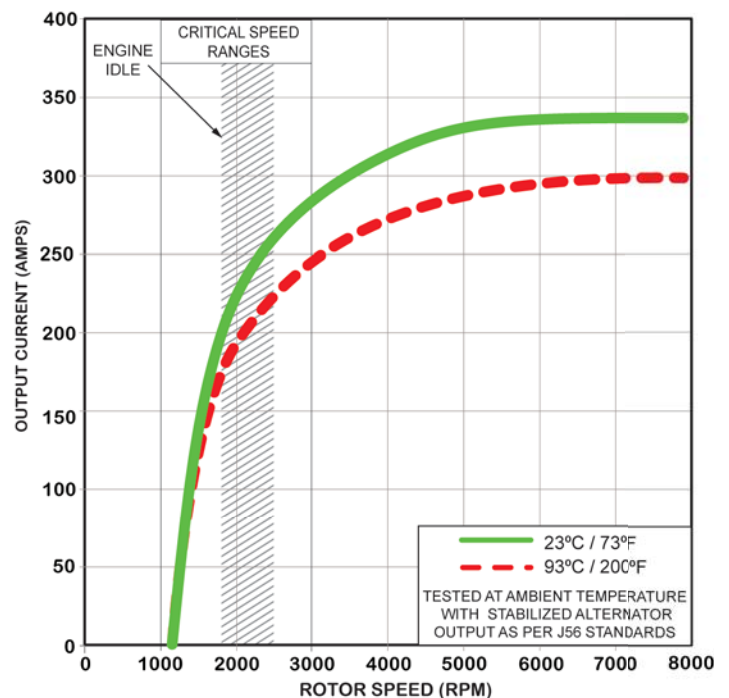


NOTE:

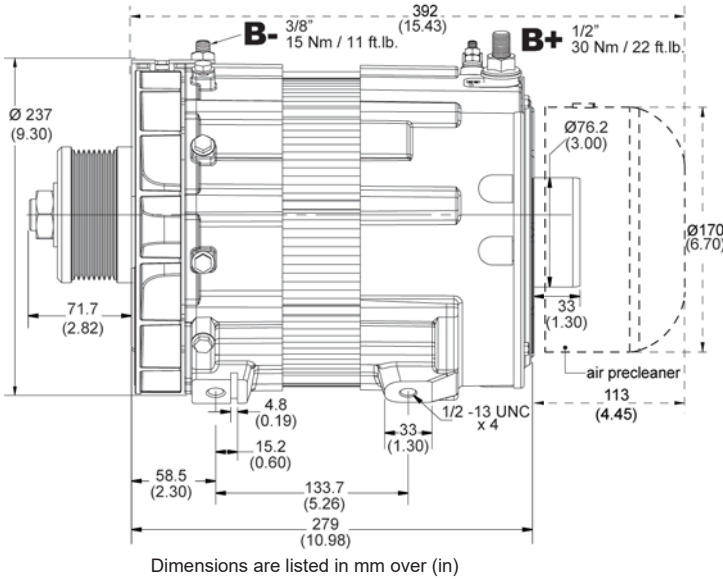
With Air Precleaner (as supplied)

This DelStar 100-302071 alternator, meets the marine requirements for Ignition Protection on gas or diesel engines of ISO 8846, USCG, stated in Title 33 CFR 183.410, SAE J1171 and International CE Standards.

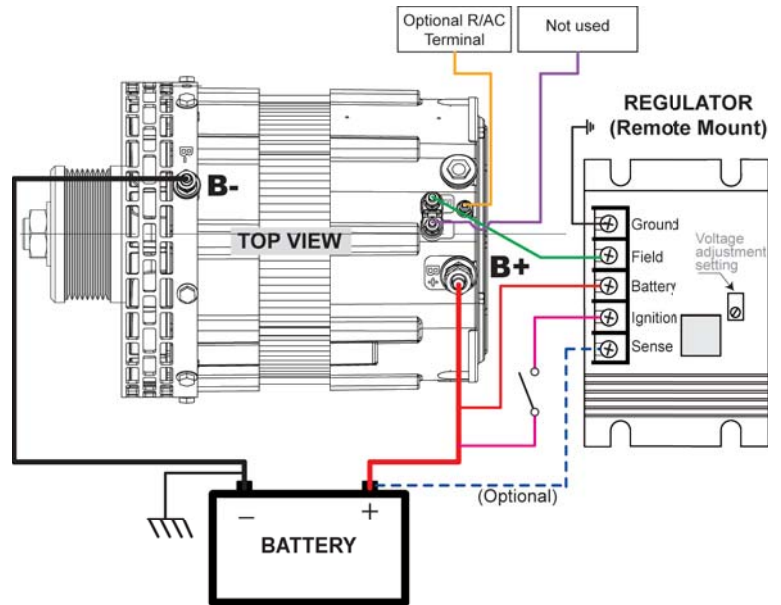
PERFORMANCE CURVES



OUTLINE



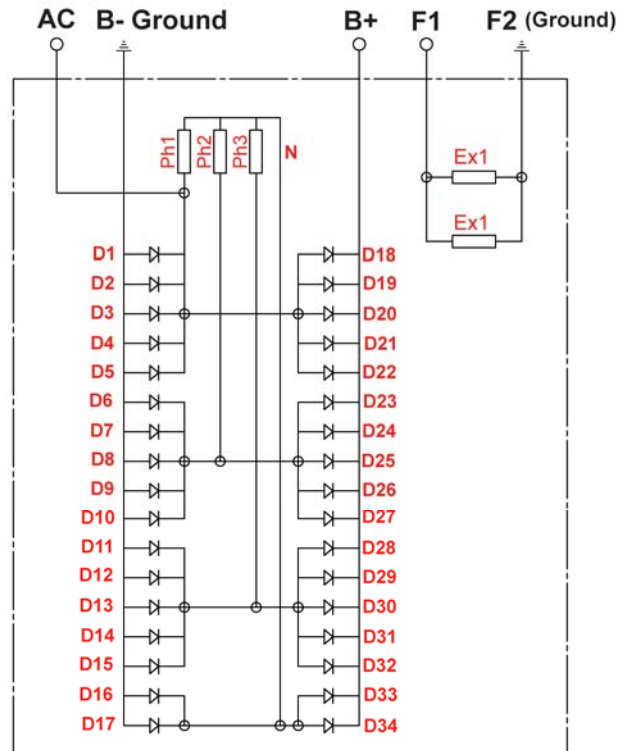
CONNECTIONS



100-302071

28 Volts 330 Amps

ELECTRICAL SCHEMATIC



CANADA & EXPORT SALES

Dixie Electric Ltd.
517 Basaltic Road
Concord, ON.
Canada L4K 4W8
Tel.: 905-879-0533
Fax: 905-879-0532
E-Mail: sales@dixie-electric.com
Web Site: www.dixie-electric.com



U.S.A. SALES

Dixie Electric Inc.
5600 Pioneer Creek Drive, Suite D
Maple Plain, MN 55359
U.S.A.
Tel.: 763-475-6629
Fax: 763-475-6635
E-Mail: mn.sales@dixie-electric.com
Web Site: www.dixie-electric.us