

100-30102
14 Volts 520 Amps



With Air Precleaner (as supplied)

PRODUCT SPECIFICATIONS

Part number	100-30102
System Voltage	14V
Rated Output	520A
Output @ 2000 rpm	380A
Ground	Isolated
Mounting	Cradle
Rotation	Bidirectional
Temperature limits:	
Low	-40°C / -40°F
High	93°C / 200°F (with air precleaner)
High	110°C / 230°F (with fresh air intake hose)
Speed limits:	
	7000 RPM continuous
	8000 RPM intermittent
Coating	Corrosion-Resistant E-Coated
Weight	77 Lbs / 35 Kg.
Regulator	Remote
Relay/AC	M5 terminal

ACCESSORIES:

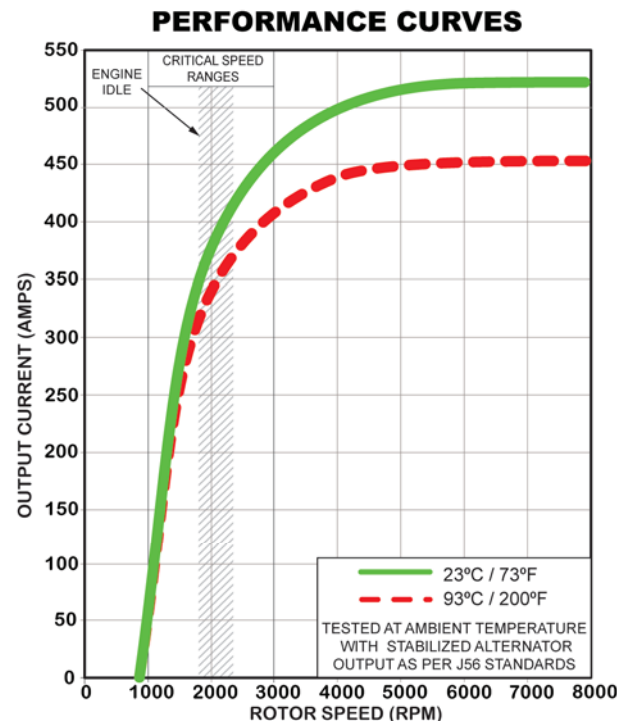
Remote Voltage Regulator	# 3501-5014
Air Precleaner	# 4800-2101

RECOMMENDED FOR:

- Emergency Vehicles

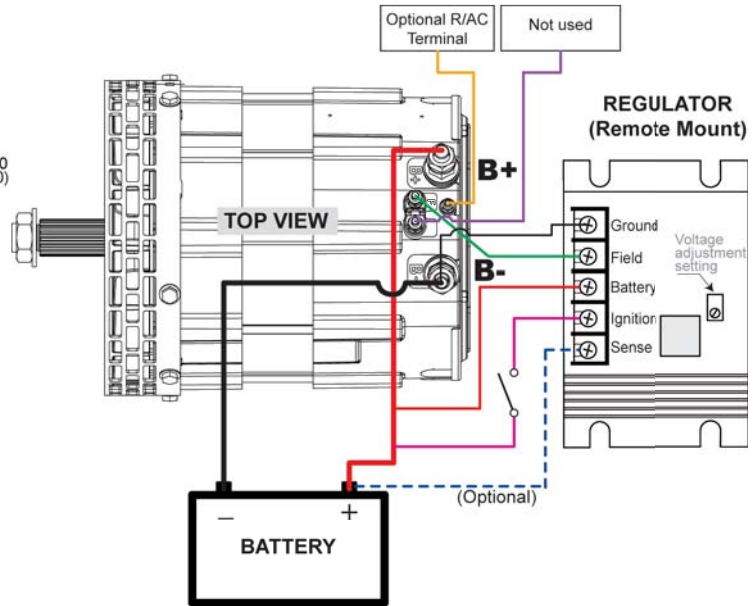
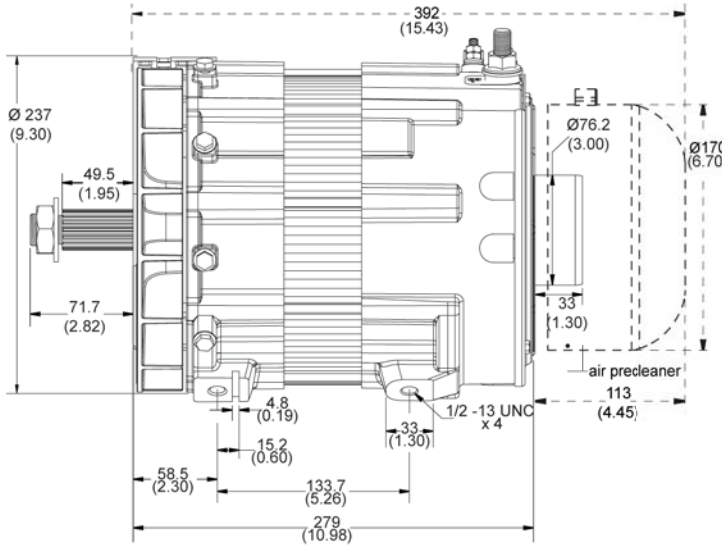
NOTE:

This DelStar 100-30102 alternator, meets the marine requirements for Ignition Protection on gas or diesel engines of ISO 8846, USCG, stated in Title 33 CFR 183.410, SAE J1171 and International CE Standards.



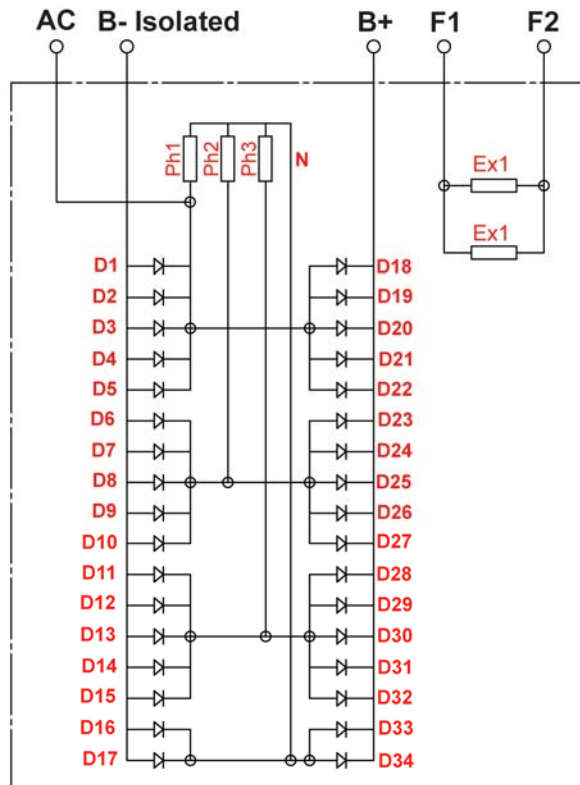
OUTLINE

CONNECTIONS



100-30102
14 Volts 520 Amps

ELECTRICAL SCHEMATIC



D100-30102 - 160226

CANADA & EXPORT SALES

Dixie Electric Ltd. Tel.: 905-879-0533 800-461-5799
517 Basaltic Road Fax: 905-879-0532
Concord, ON. E-Mail: sales@dixie-electric.com
Canada L4K 4W8 Web Site: www.dixie-electric.com



U.S.A. SALES

Dixie Electric Inc. 17100 Medina Rd, Suite 100
Minneapolis, MN. U.S.A. 55447-1249

Tel.: 763-475-6629 800-478-0608
Fax: 763-475-6635 800-392-8719
E-Mail: mn.sales@dixie-electric.com
Web Site: www.dixie-electric.com