

# 100-16103,-D

## 14 Volts 240 Amps

### PRODUCT SPECIFICATIONS

<b>Part number</b>	100-16103
<b>System Voltage</b>	12V
<b>Rated Output</b>	240A
<b>Output @ 2000 rpm</b>	126A
<b>Ground</b>	Isolated
<b>Mounting</b>	J180 4" Hinge
<b>Rotation</b>	CW
<b>Temperature limits:</b>	
Low	-40°C / -40°F
High	110°C / 230°F
High	125°C / 257°F (with fresh air intake)
<b>Speed limits:</b>	
	8000 RPM continuous
	9000 RPM intermittent
<b>Coating</b>	Corrosion-Resistant E-Coated
<b>Weight</b>	28 Lbs / 12.7 Kg.
<b>Regulator</b>	Integral
<b>Excitation</b>	Self-excite (@ 1500 rpm or less)
<b>Indicator Light</b>	Yes
<b>Remote Sense Regulation</b>	Yes
<b>Soft Start Function</b>	Yes
<b>6 Sec. Load Response Control (LRC)</b>	Yes
<b>Field Short Circuit Protection</b>	Yes
<b>Load Dump Protection</b>	Yes
<b>Over Voltage Protection</b>	Yes

#### RECOMMENDED FOR:

- School & Shuttle Buses
- Utility Vehicles
- Marine & Mining
- Agricultural
- Construction & Industrial



**100-16103**

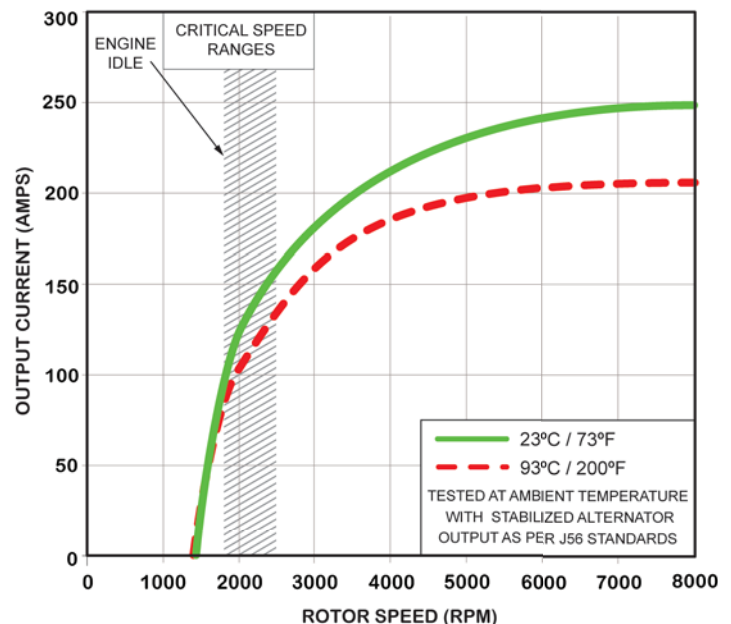


**100-16103-D**  
with air intake cover

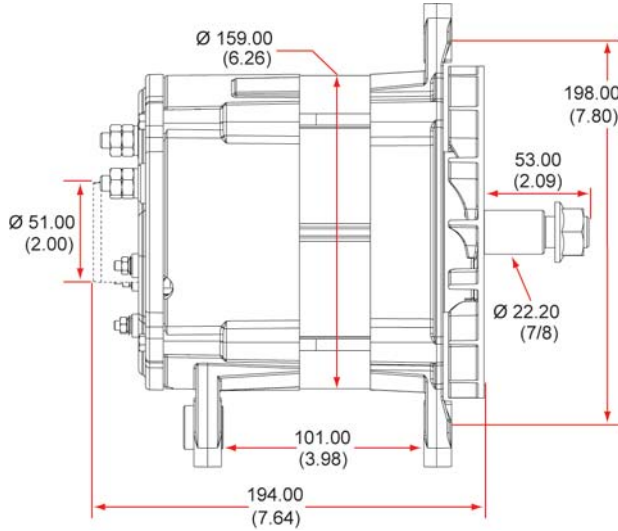
#### NOTE:

*This DelStar 100-16103 alternator, meets the marine requirements for Ignition Protection on gas or diesel engines of ISO 8846, USCG, stated in Title 33 CFR 183.410, SAE J1171 and International CE Standards.*

#### PERFORMANCE CURVES

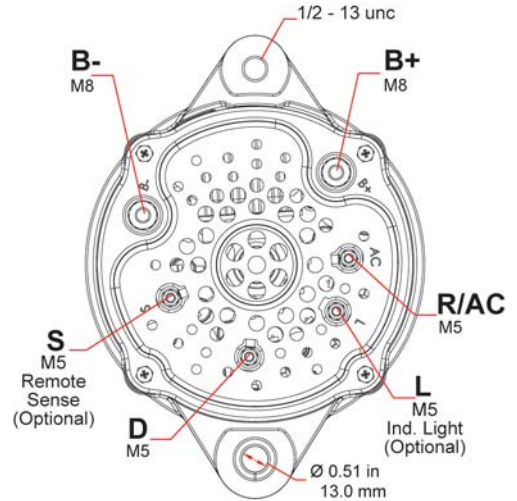


### OUTLINE



Dimensions are listed in mm over (in)

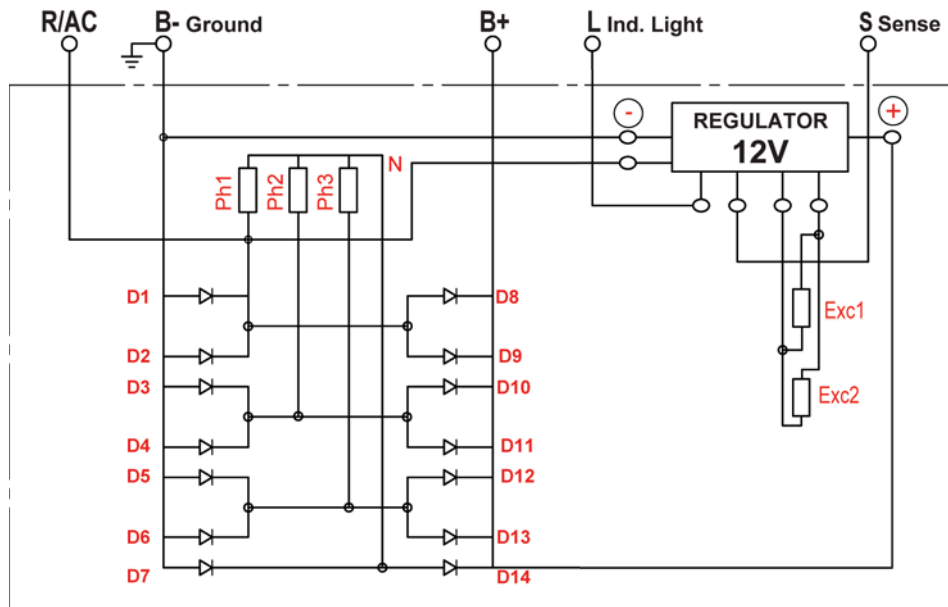
### CONNECTIONS



If the vehicle has an ignition (excite) circuit, connect wire to "D" (dummy) terminal.

100-16103  
14 Volts 240 Amps

### ELECTRICAL SCHEMATIC



D100-16103 - 151124

#### CANADA & EXPORT SALES

Dixie Electric Ltd. Tel.: 905-879-0533 800-461-5799  
517 Basaltic Road Fax: 905-879-0532  
Concord, ON. E-Mail: sales@dixie-electric.com  
Canada L4K 4W8 Web Site: www.dixie-electric.com



#### U.S.A. SALES

Dixie Electric Inc. Tel.: 763-475-6629 800-478-0608  
17100 Medina Rd, Suite 100 Fax: 763-475-6635 800-392-8719  
Minneapolis, MN. E-Mail: mn.sales@dixie-electric.com  
U.S.A. 55447-1249 Web Site: www.dixie-electric.com